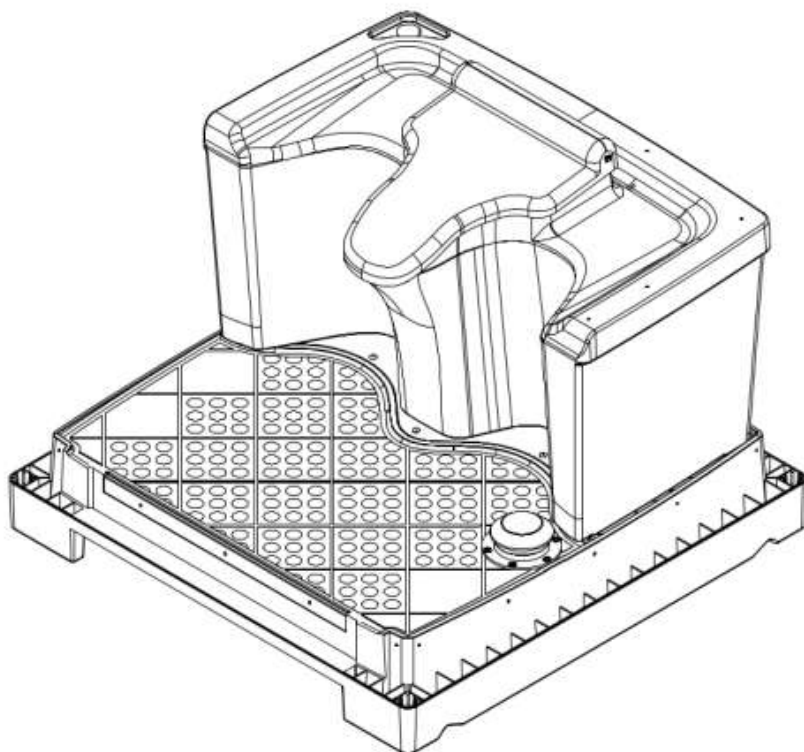




Recirculating Foot Pump

Rev. 2 del 01/12/2018



Armal.

Introduction

Armal portable restrooms and accessories must be assembled according to approved assembly procedures. Avoid variations in assembly procedures, which could adversely affect product life and warranty.

Assembly procedures are written for assembly of single units. If assembling multiple units, considerable efficiency can be gained by having a crew working in assembly line fashion.

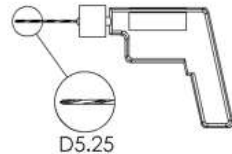
Don't open up all your kit boxes and bags. Open up only enough kit boxes/bags to assemble the number of toilets you are currently working on.

KEEP PARTS ORGANIZED.

Required Tools



Rivet Gun



Drill (tip 5.25)



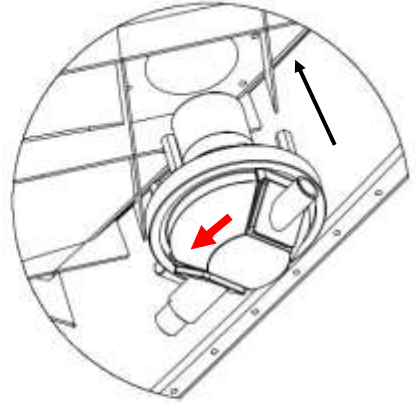
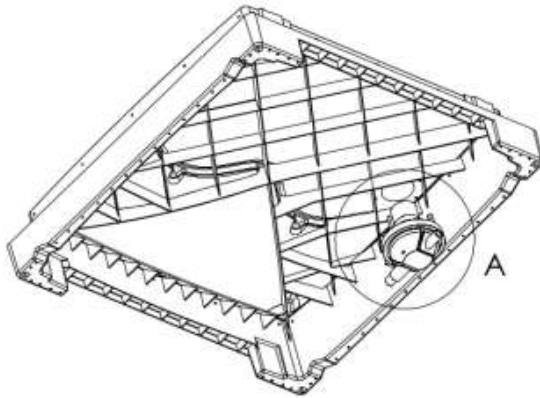
Wrench 8



Star screwdriver



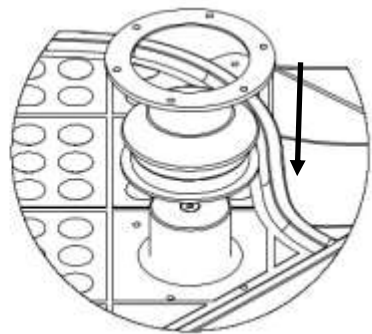
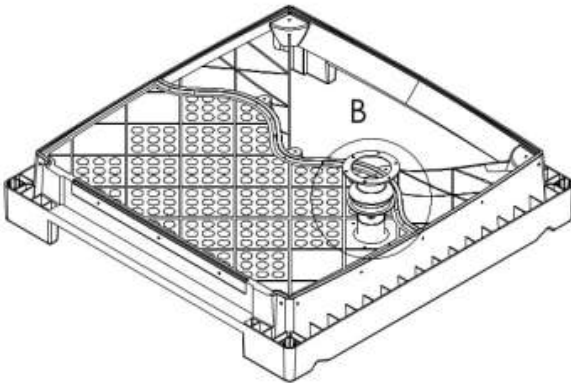
Armal key
Armal Key



DETTAGLIO A

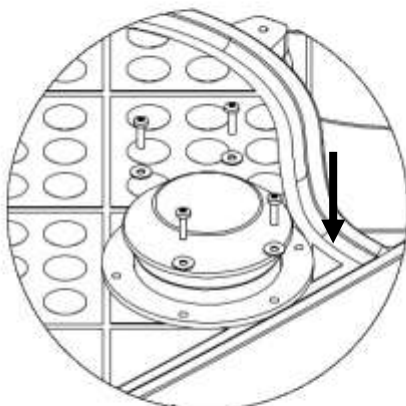
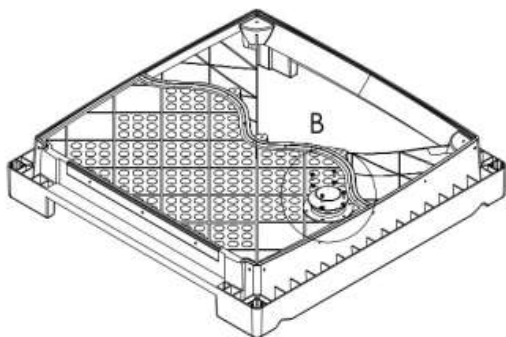
Take the Pump and place it on the floor from bottom side.

Attention : Insert the pump with the correct flow sense (see Red arrow)



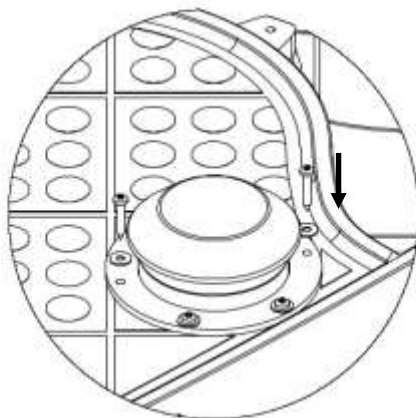
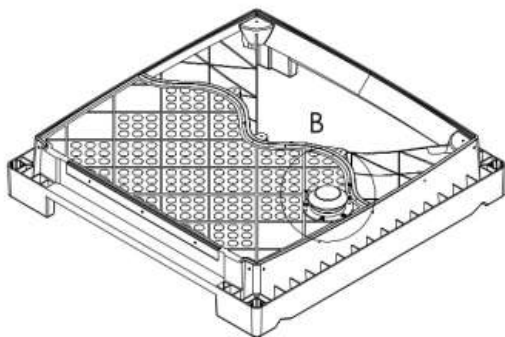
DETTAGLIO B

Assemble the rubber membrane and locker ring over the pump



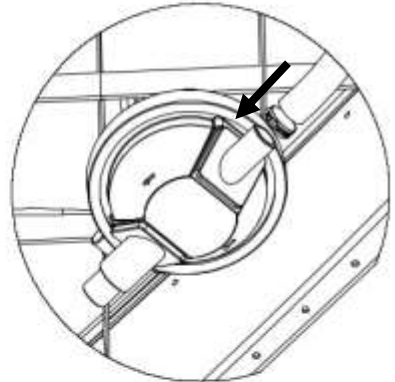
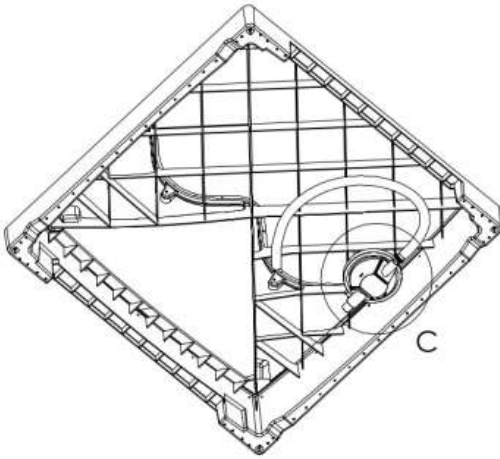
DETTAGLIO B

Assemble the 4 screws 5x20 with the flat washer for fix the pump.



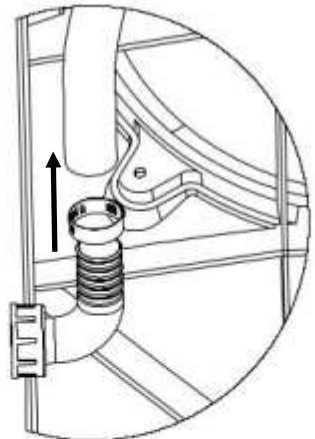
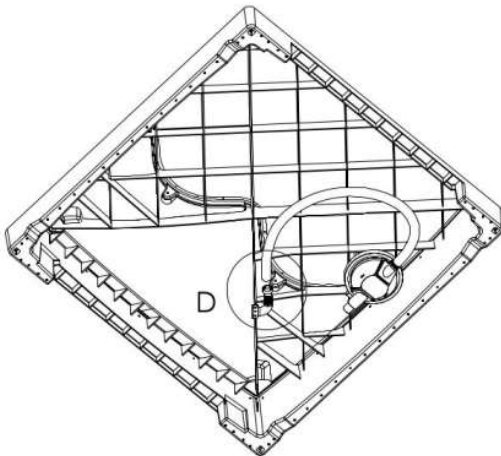
DETTAGLIO B

Complete the assembling with 2 drilling screws 4,8x20 and flat washer for fix the ring.



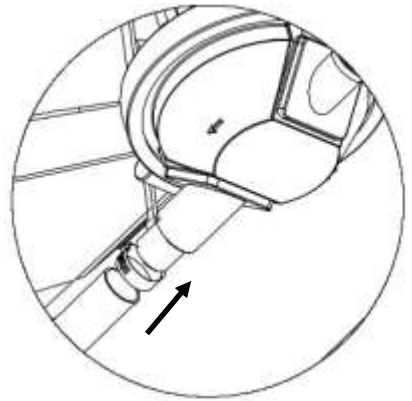
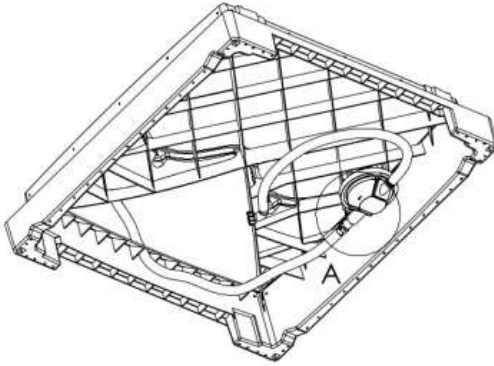
DETTAGLIO C

Assemble the tube in pump aspiration (length 115cm)



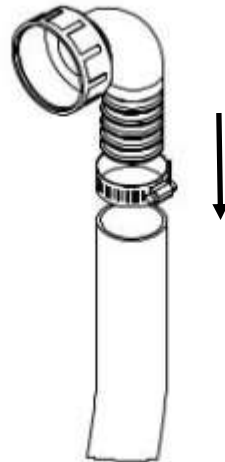
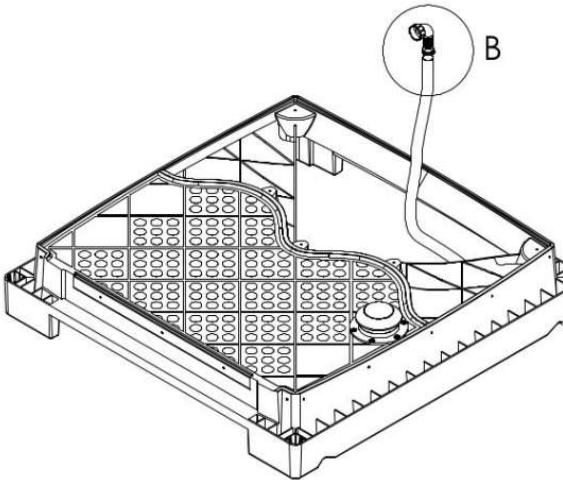
DETTAGLIO D

Complete the assembling with the curve fitting in the other side of tube
(Attention do not lose the rubber gasket inside the fitting)



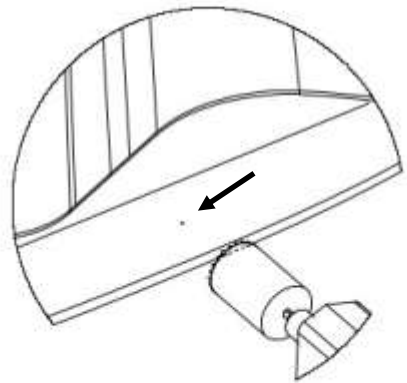
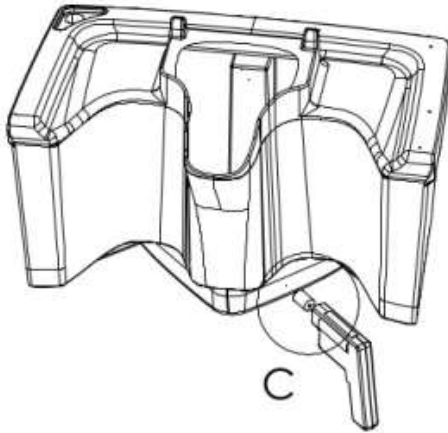
DETTAGLIO A

Assemble the tube in pump expiration (length 130cm)



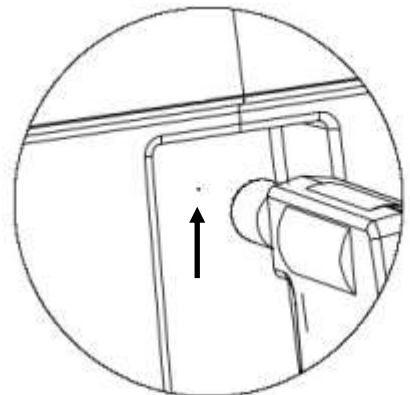
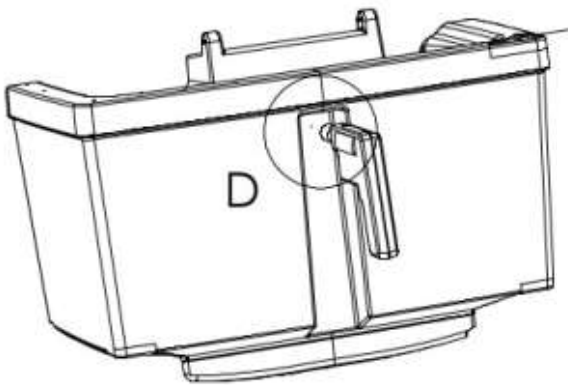
DETTAGLIO B

Complete the assembling with the curve fitting in the other side of tube
(Attention do not lose the rubber gasket inside the fitting)



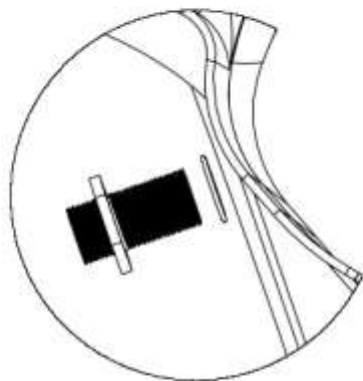
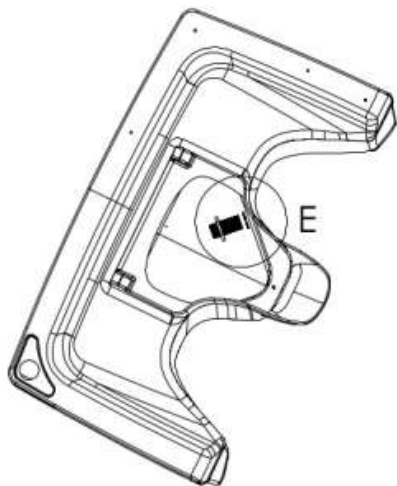
DETTAGLIO C

Made an hole of 35mm diameter for aspiration in the down side of tank. Drill the tank into in the point into the plastic with a tip of 35mm diameter.



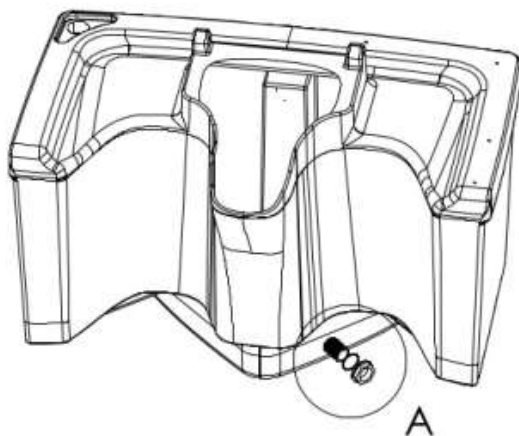
DETTAGLIO D

Made an hole of 35mm diameter for the feed the nozzle in the rear side of tank. Drill the tank into in the point into the plastic with a tip of 35mm diameter.



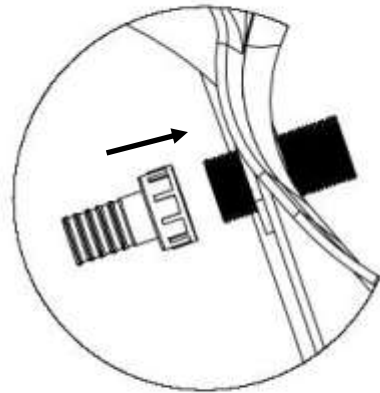
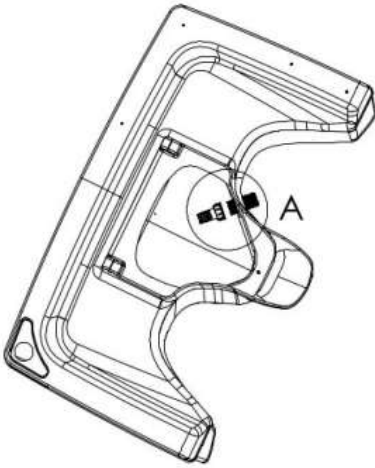
DETTAGLIO E

Insert the passageway fitting with the rubber o'ring from inside into the bottom hole of the tank



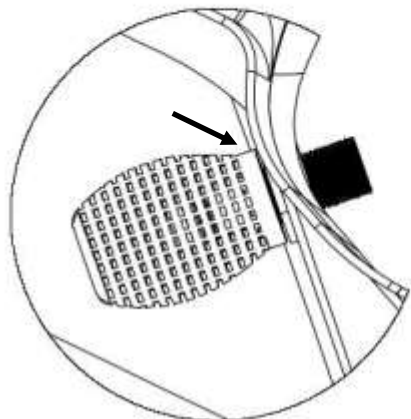
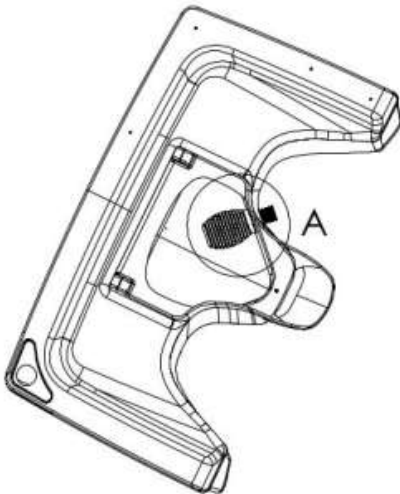
DETTAGLIO A

Complete the assembling with the rubber o'ring and the ferrule from external side



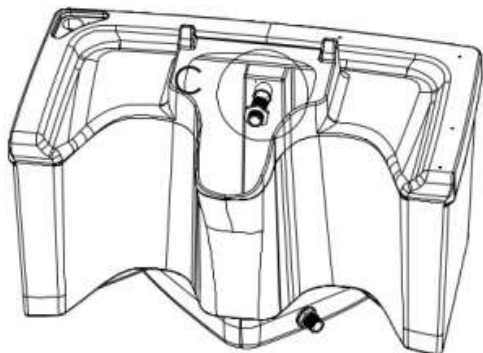
DETTAGLIO A

Install female straight fitting with hose nozzle
from internal side of tank



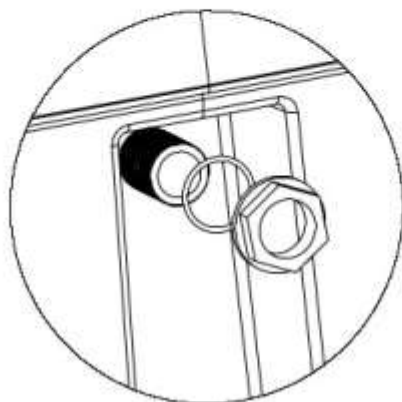
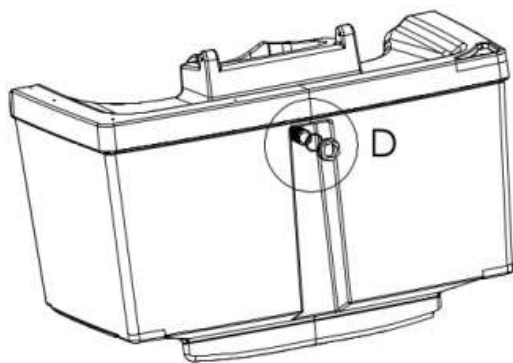
DETTAGLIO A

Complete the assembling with the mesh filter
(fix the filter on the straight fitting with plastic clamp)



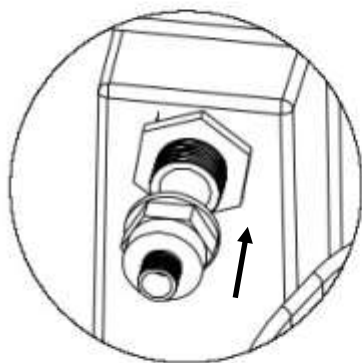
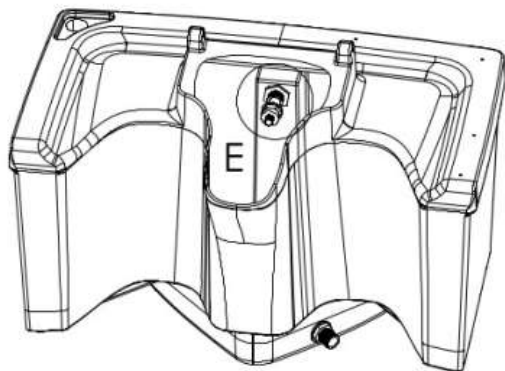
DETTAGLIO C

Insert the passageway fitting with the rubber o'ring from inside into the rear hole of the tank



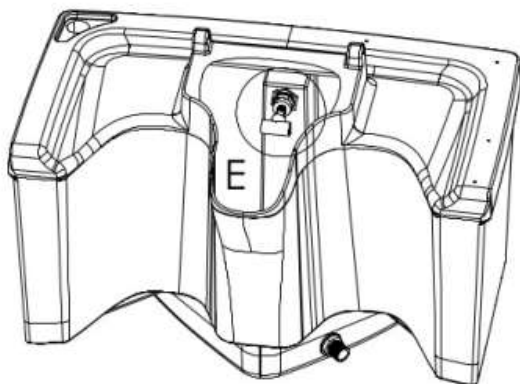
DETTAGLIO D

Complete the assembling with the rubber o'ring and the ferrule from external side



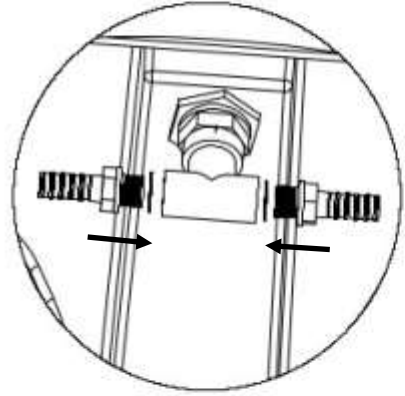
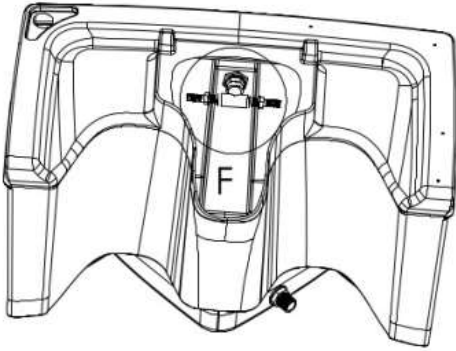
DETTAGLIO E

Insert the straight reduction fitting from inside of tank



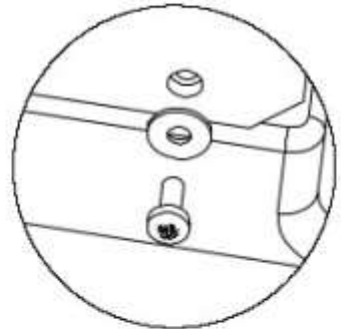
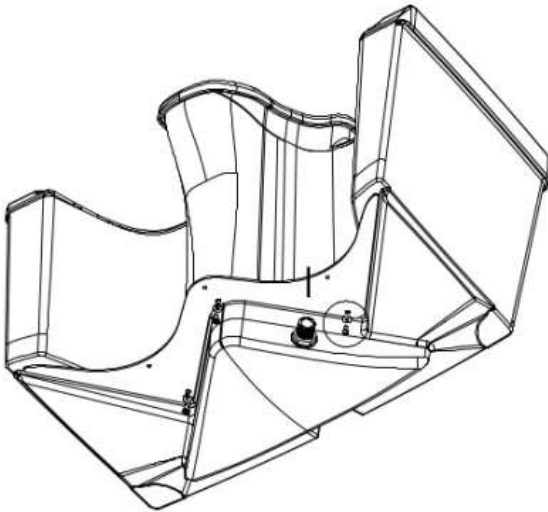
DETTAGLIO E

Install the tee fitting on the straight reduction



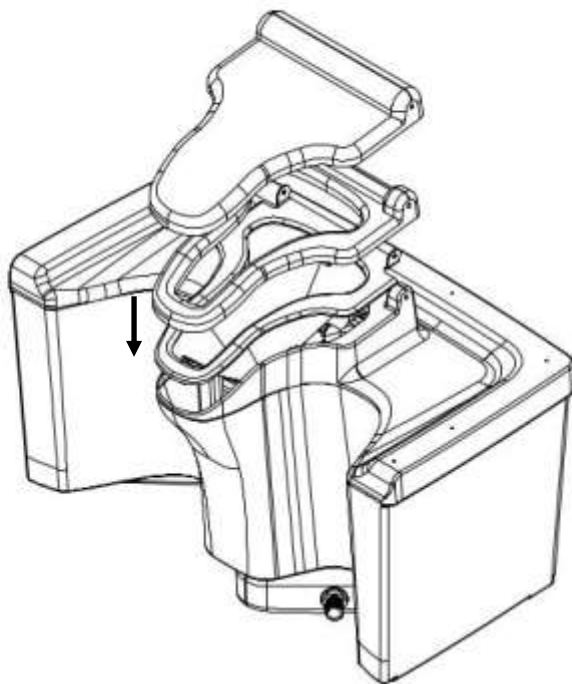
DETTAGLIO F

Install the straight fittings with hose nozzle with rubber gasket on the tee fitting

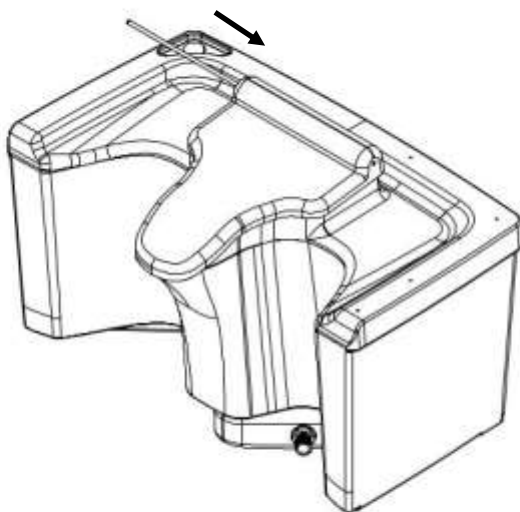


DETTAGLIO I

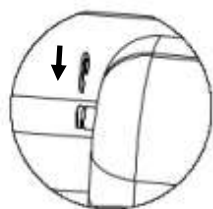
Install the plastic base in the low side of tank with 3 screws 6x15 and flat washers



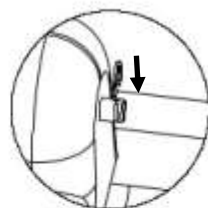
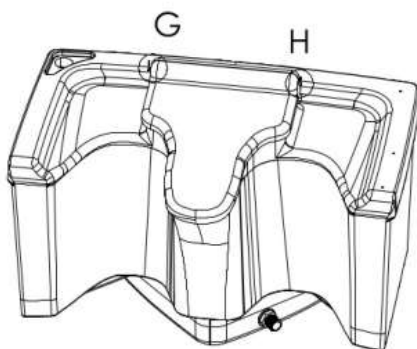
Insert the bowl , seat and top cover on the tank



Install the inox bar for the rotation

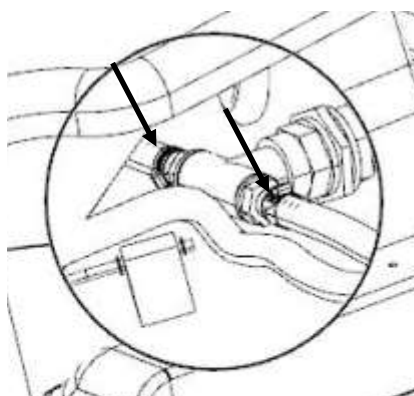
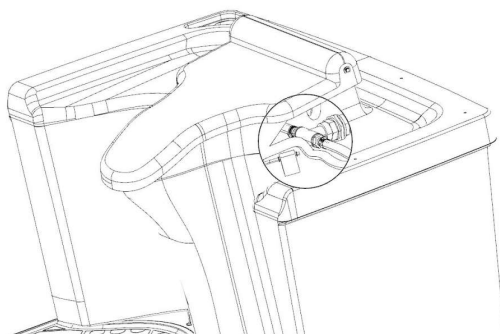


DETTAGLIO G

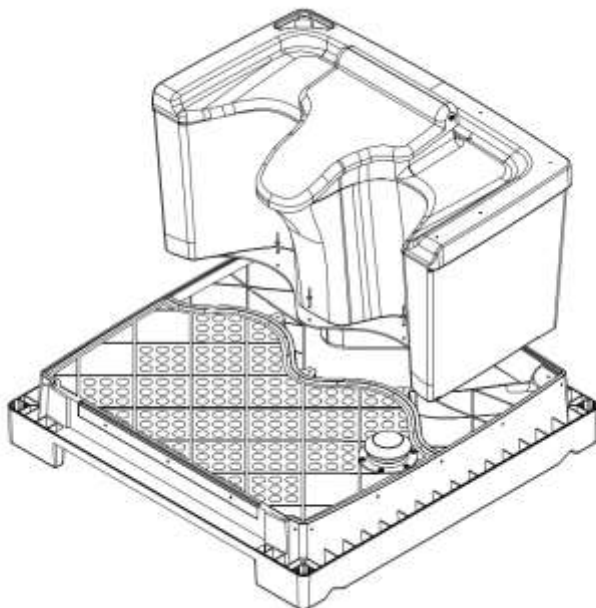


DETTAGLIO H

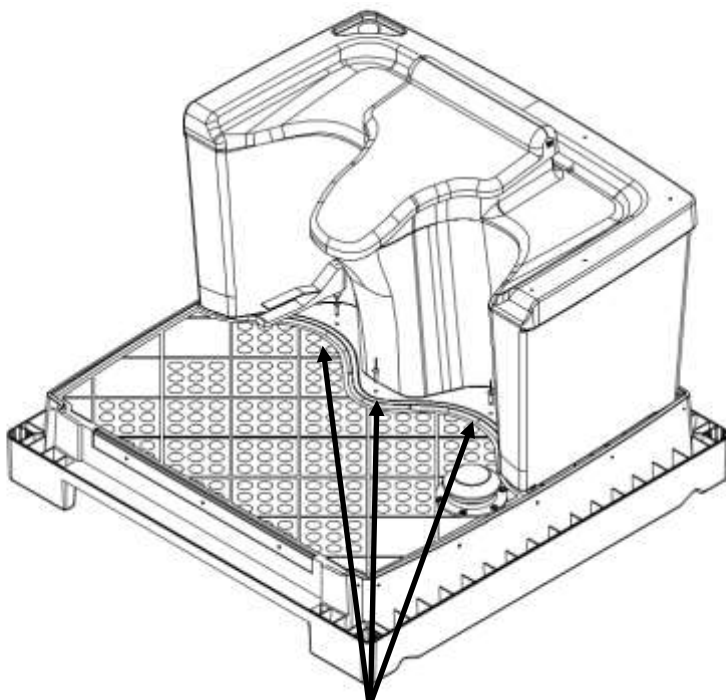
Complete assembling with two fixing rings



Fix the tubes of the bowl nozzles with two metallic clamps

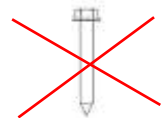
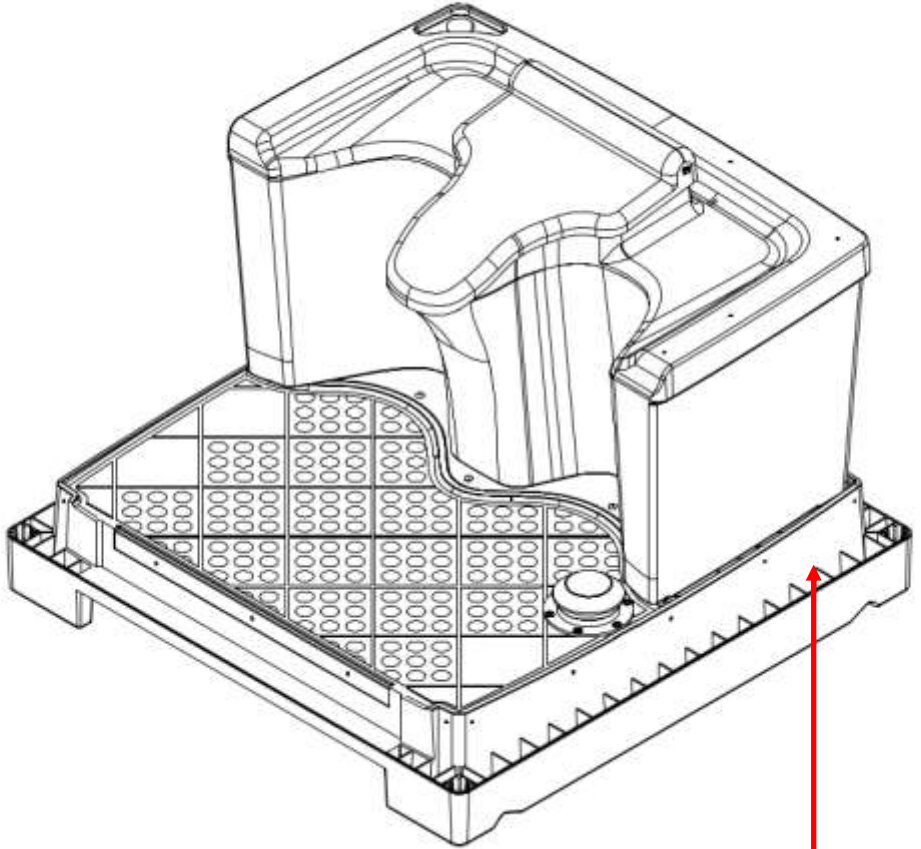


Take the Tank and place it on the floor

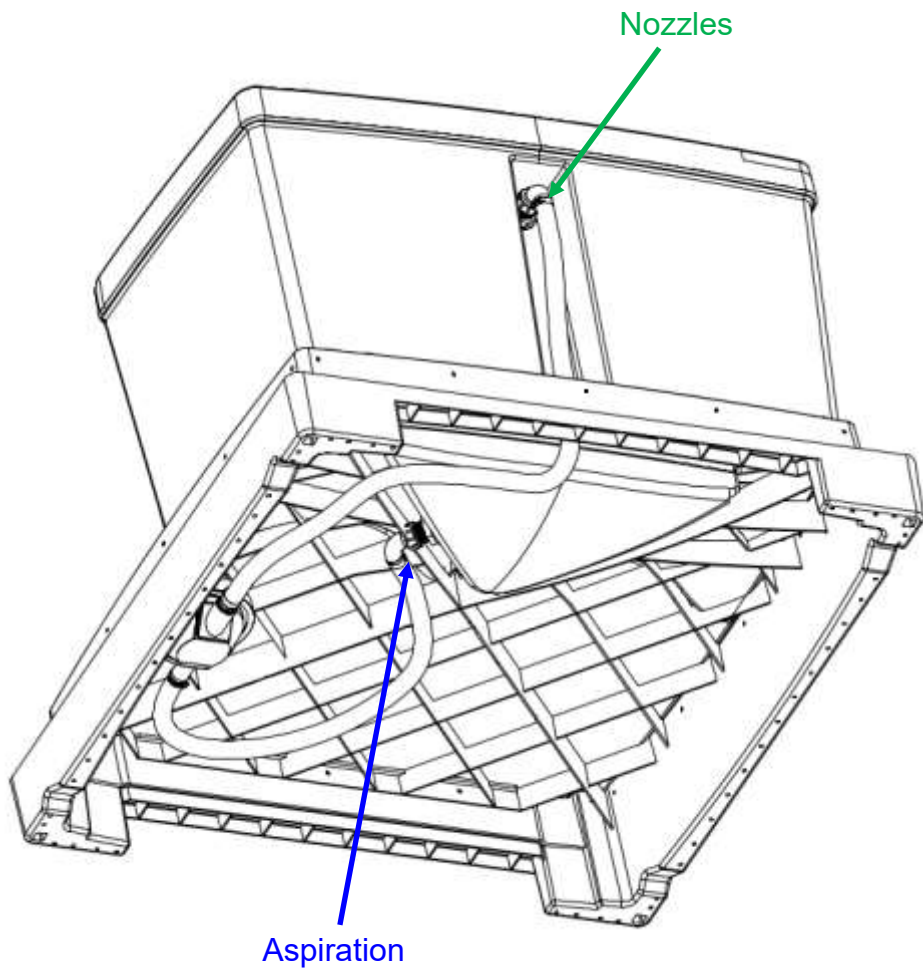


Fix with 3 rivets in the front of the base tank

IMPORTANT : DO NOT fix the tank with the screw on the back

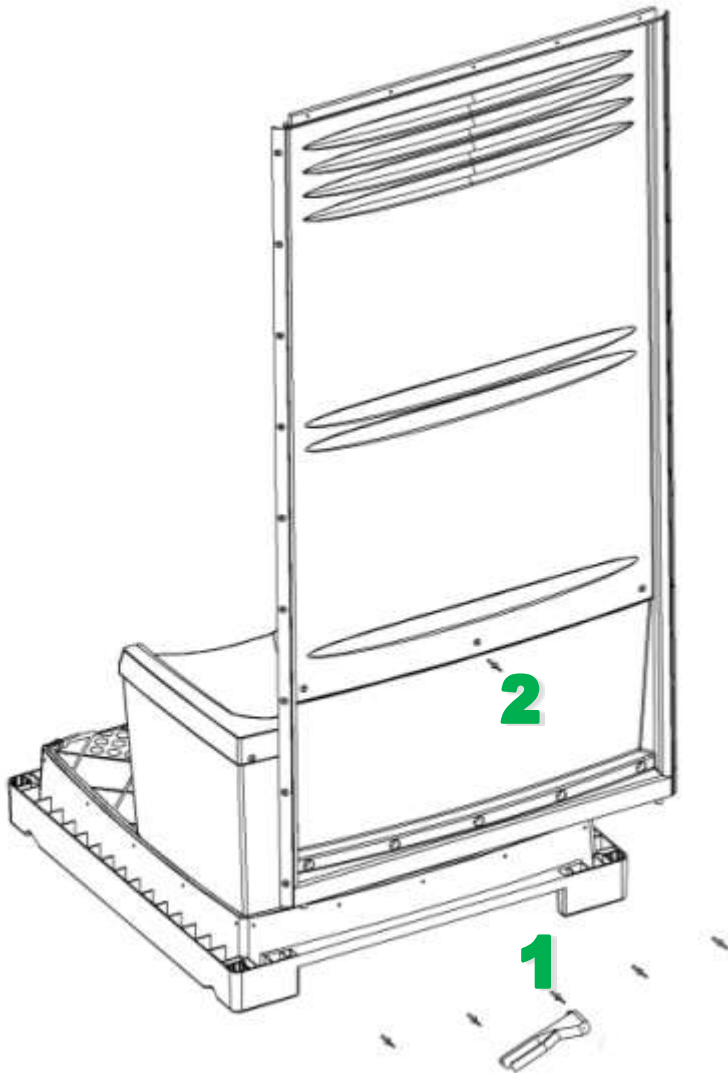


IMPORTANT : DO NOT fix the tank with the screw on the back



Connect the tubes.

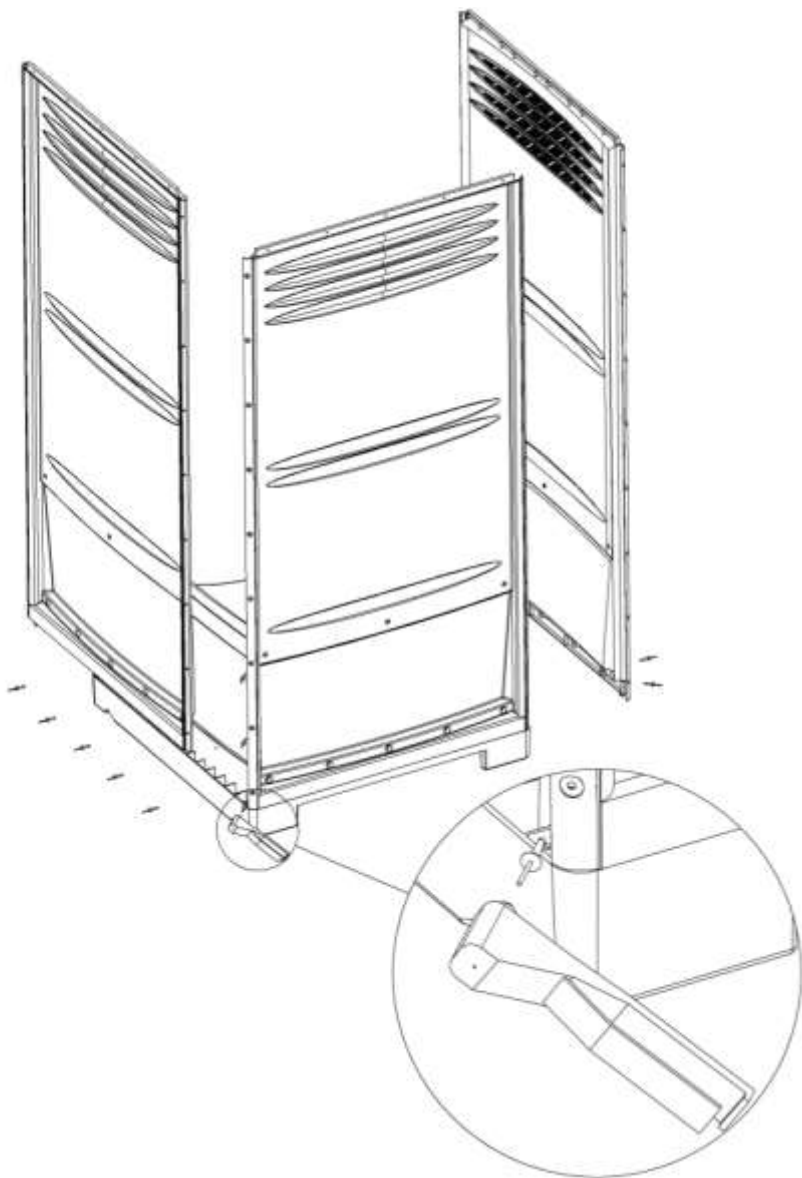
Aspiration under floor and for the nozzles in the rear of the tank.



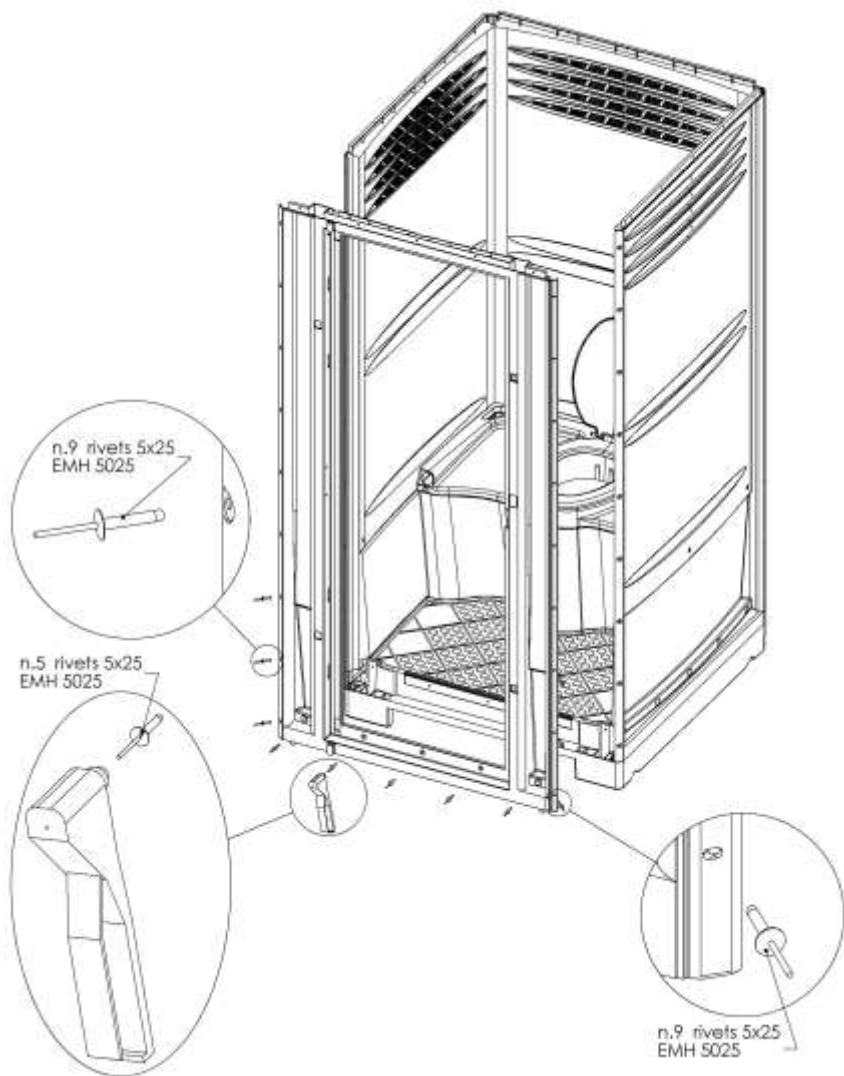
Take one wall panel, position it on the rear floor and fix it with rivets following these steps:

- 1) Fix first the central rivet to the floor
- 2) Drill the wall panel central point using a 5.25 tip and fix the panel with a rivet

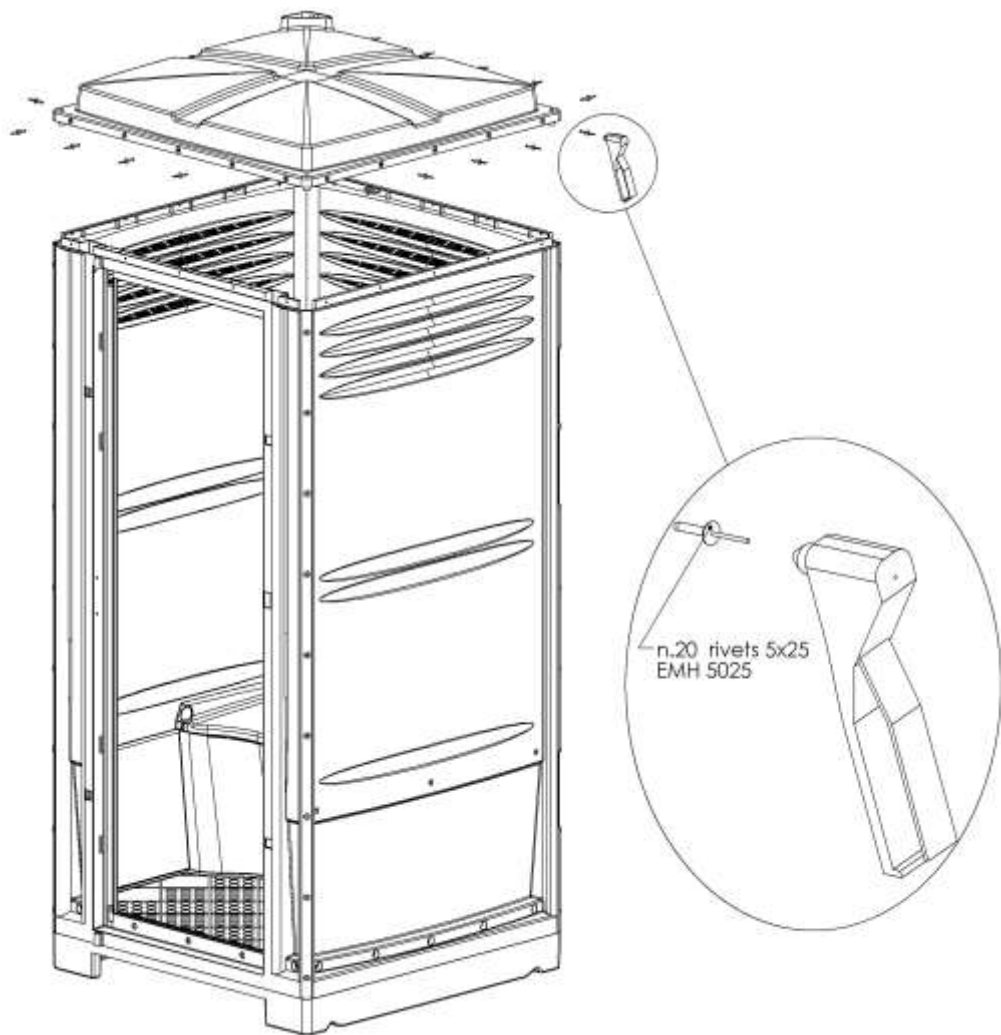
Complete fixing the wall panel to the floor with No. 8 rivets



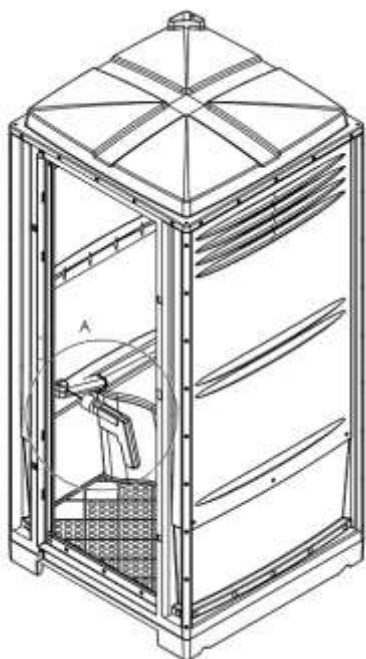
Proceed with the same steps of page 9 for the right and left side wall panels



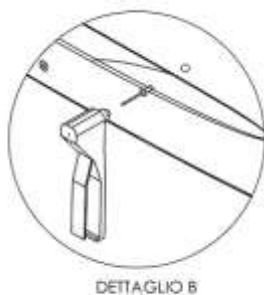
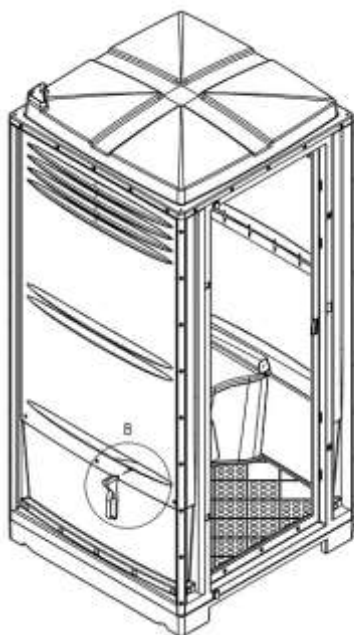
Take the door frame and fix it to wall panels with
No. 23 rivets in total



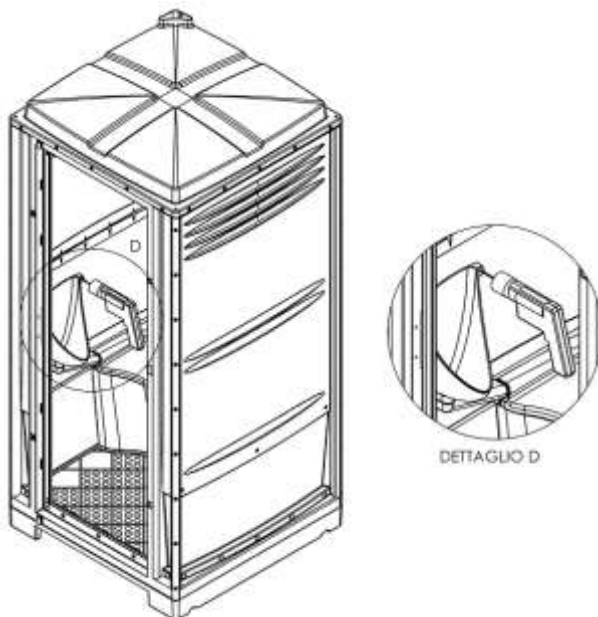
Position the roof and fix it with No. 20 rivets in total
(No. 5 units per roof side)



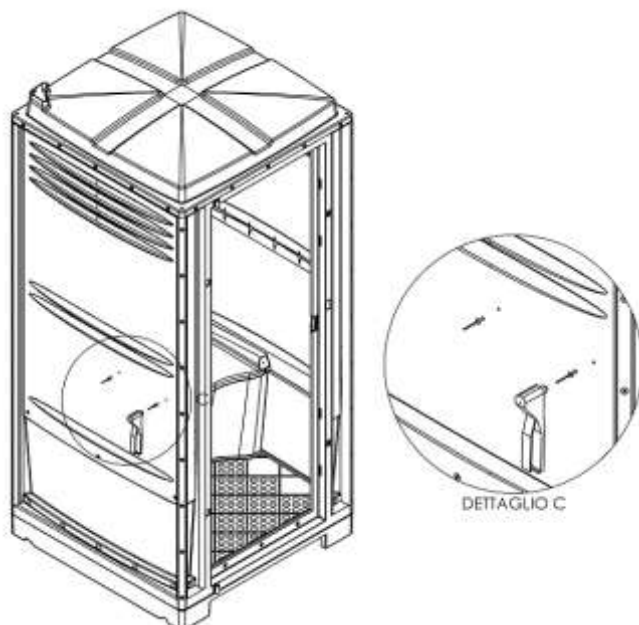
Place the urinal connection hose inside the toilet tank cover and drill the wall panel from inside by using a 5.25 tip as shown in detail A



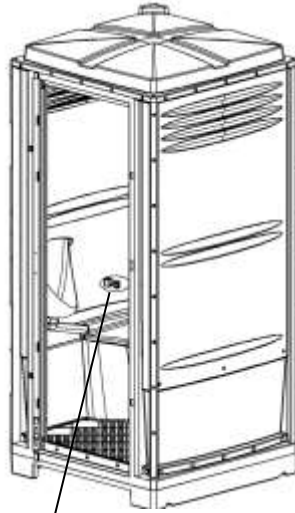
Fix the urinal connection hose with No. 1 rivet from the outside



Place the urinal inside the urinal connection hose; drill the wall panel at exact location of the 2 urinal holes by using a 5.25 tip as shown in detail D

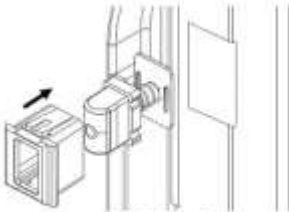


Fix finally the urinal with No. 2 rivets from the outside as shown in detail C

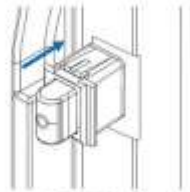


NEW ADJUSTABLE DOOR NOISE DEFLECTOR ASSEMBLY.
It allows to adjust the door lock's strength according to customers' needs and wind conditions.

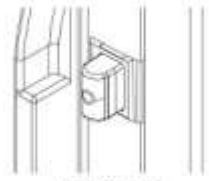
Installation



STEP 1

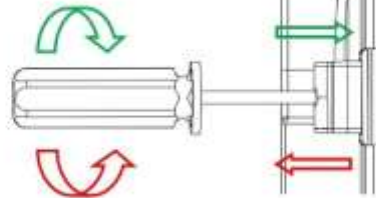
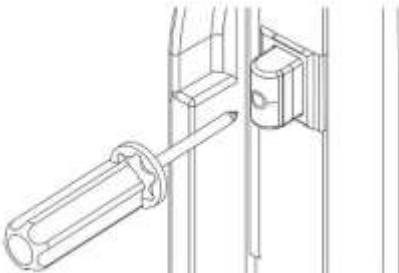


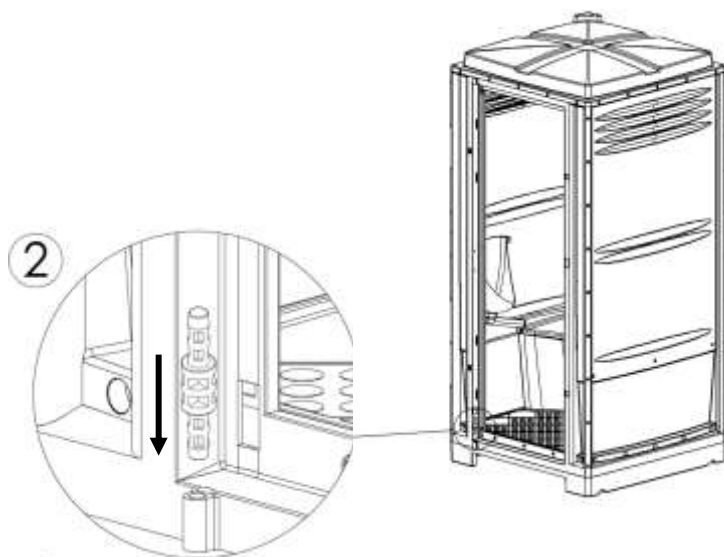
STEP 2



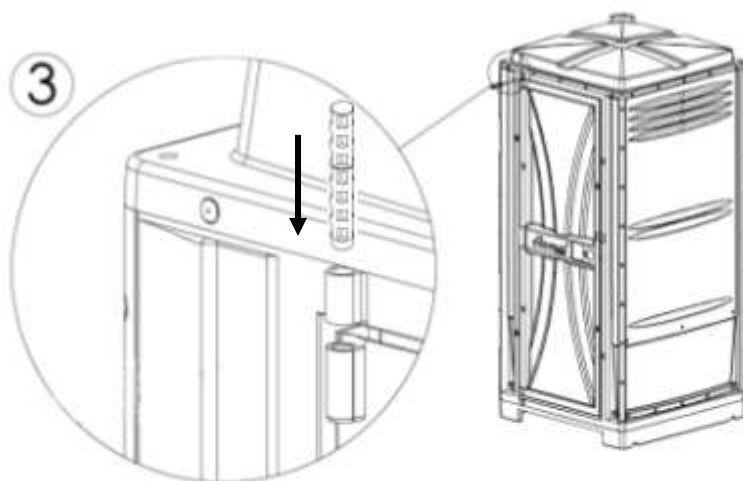
STEP 3

Adjustment



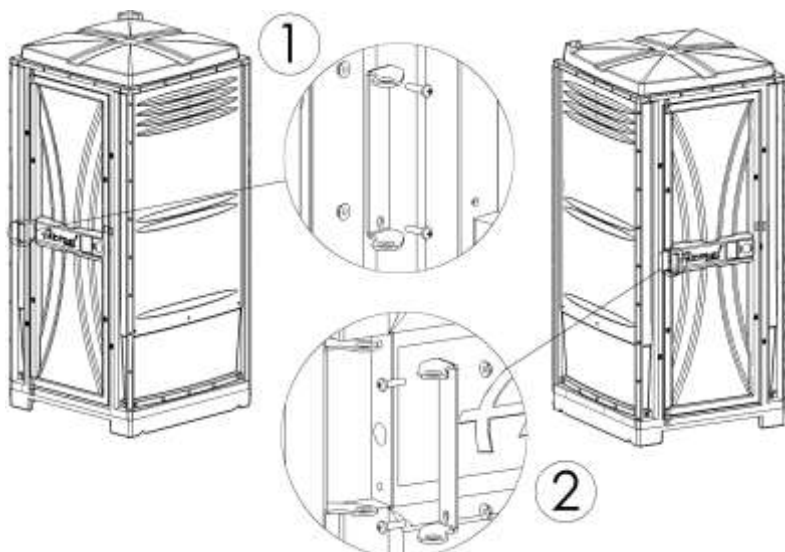


Place the bottom door pin.



Insert the door into the bottom pin.

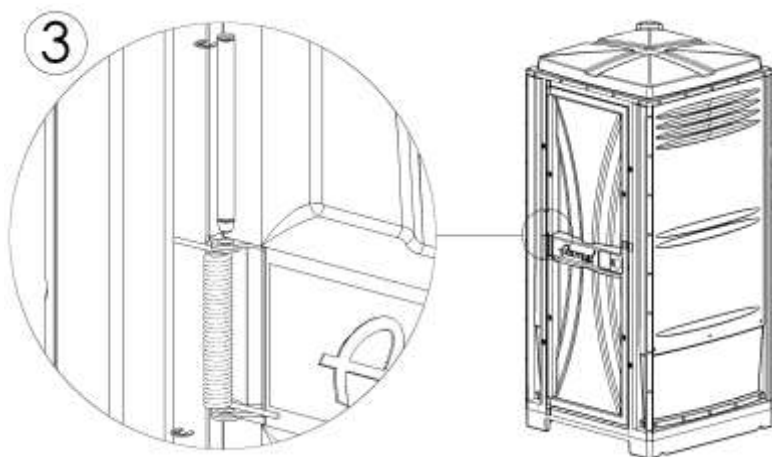
Complete assembly by placing the upper door pin.



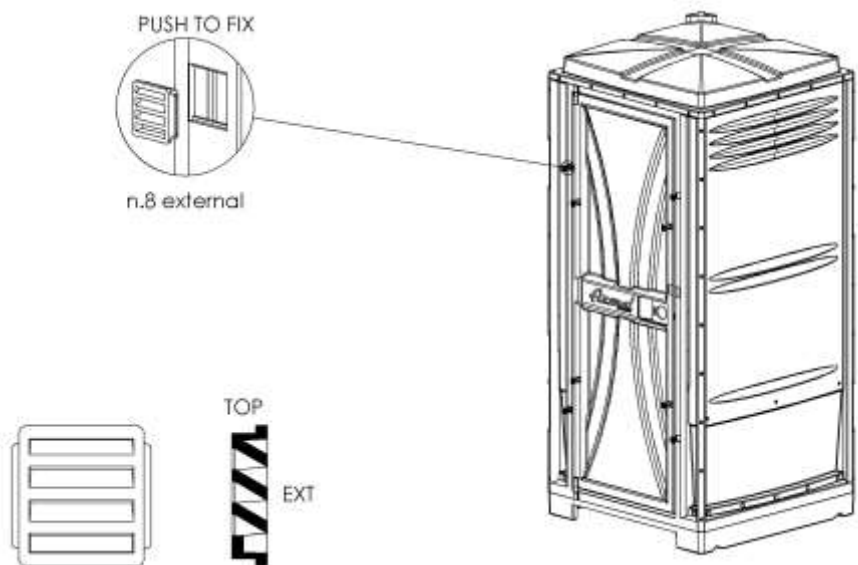
Install the door spring's hinge into the toilet door and door frame

ATTENTION: Use No. 2 screws 05x16 and No. 2 nuts M.5

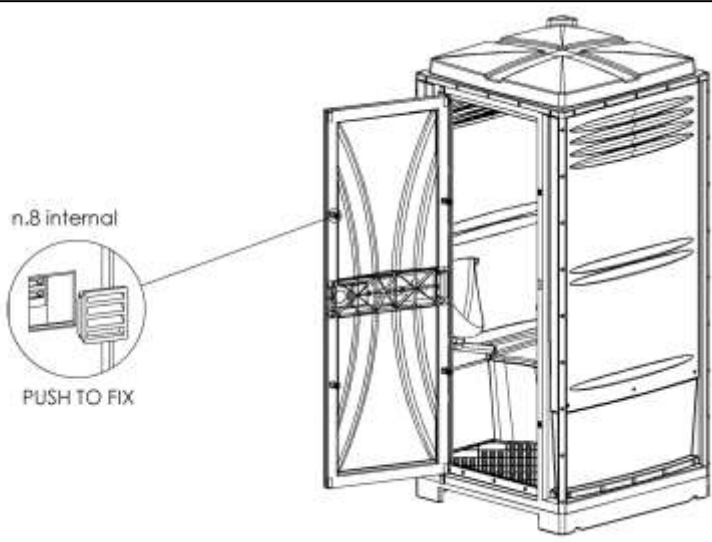
DO NOT USE RIVETS FOR THIS INSTALLATION



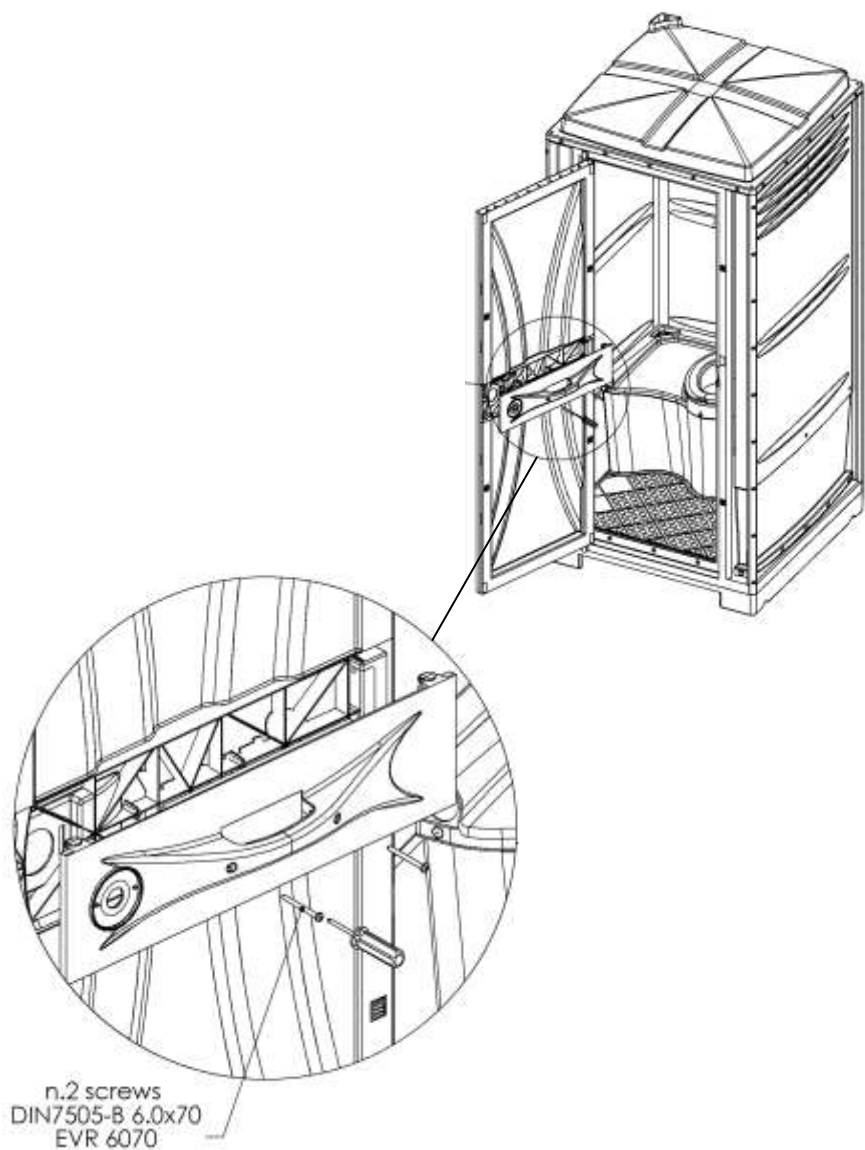
Place the door spring and make first half turn of preloading; then, place the door spring's hub and fix the two parts with No. 2 rings for metal bar D 8 Stainless



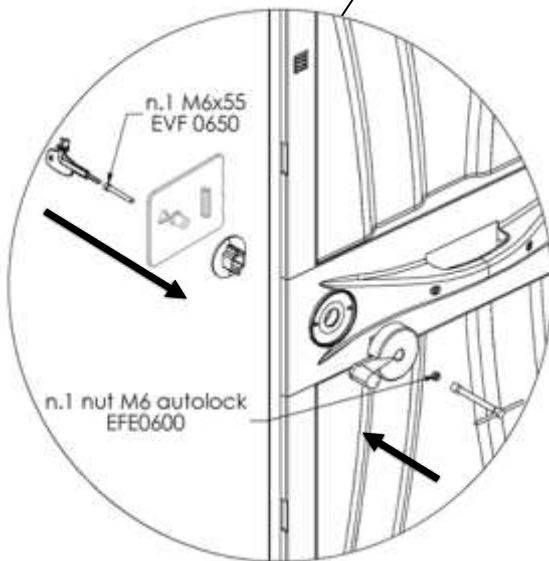
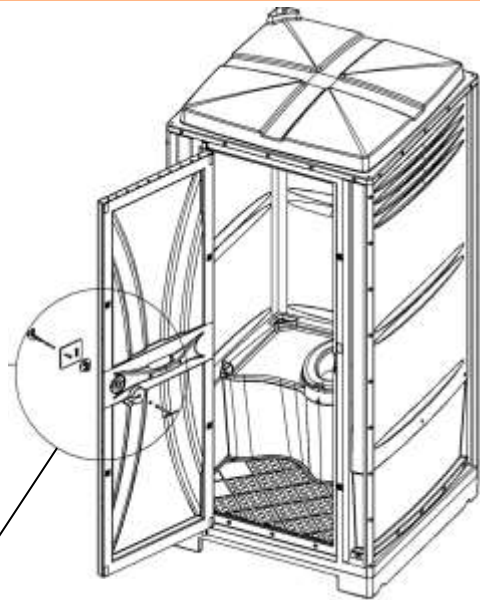
Insert No. 8 grilles for door/door frame in the external specific spaces of the door frame.



Insert No. 8 grilles for door/door frame in the internal specific spaces of the door



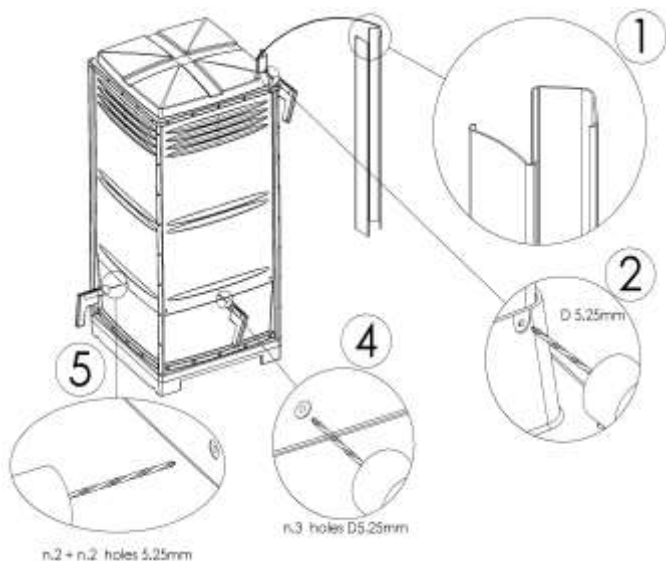
Place the door handle on the internal part of the door
and fix it with No. 2 screws 60x70



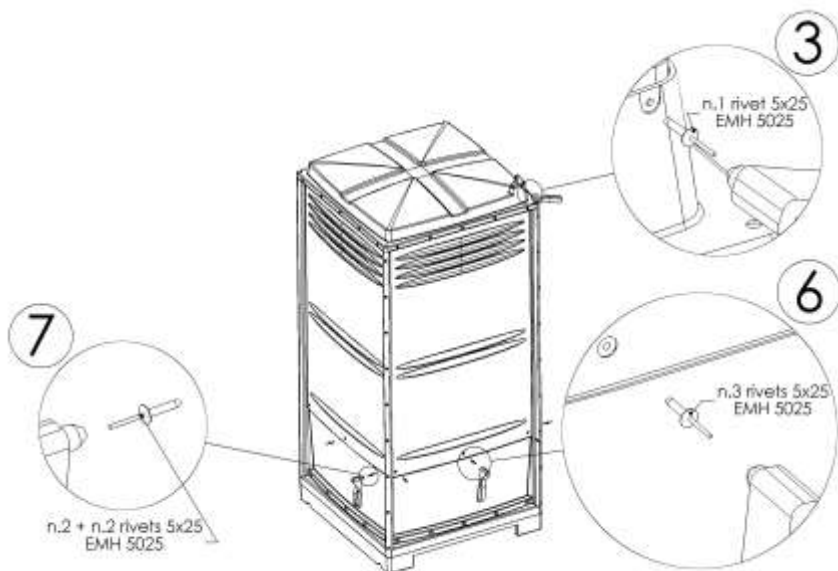
All mentioned parts are contained in the door lock kit

Insert the door latch on the internal side of the door handle. Fix the green/red indicator and the indicator mount to the door latch with No. 1 screw 06x55 from the external side of the door (tighten the door latch to adjust its strength)

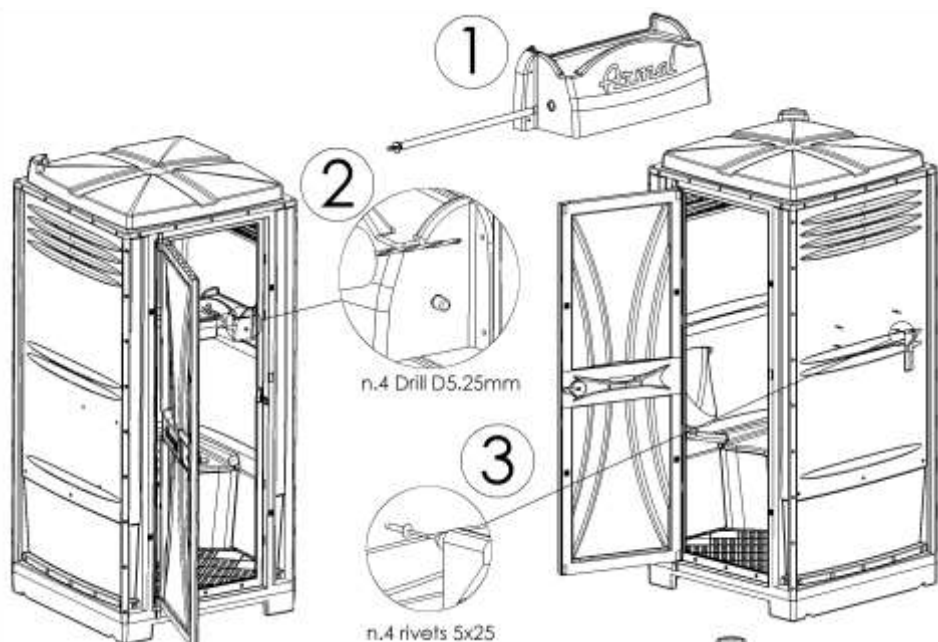
Complete the assembly with a self-blocking nut from the internal side.
Use the Armal key to hold the screw



Insert the ventilation pipe into the cover tank and roof
 Drill the roof and the wall panel by using a 5.25 tip where indicated (No. 5 holes in total)



Fix the ventilation pipe to roof and panel by using No. 8 rivets in total

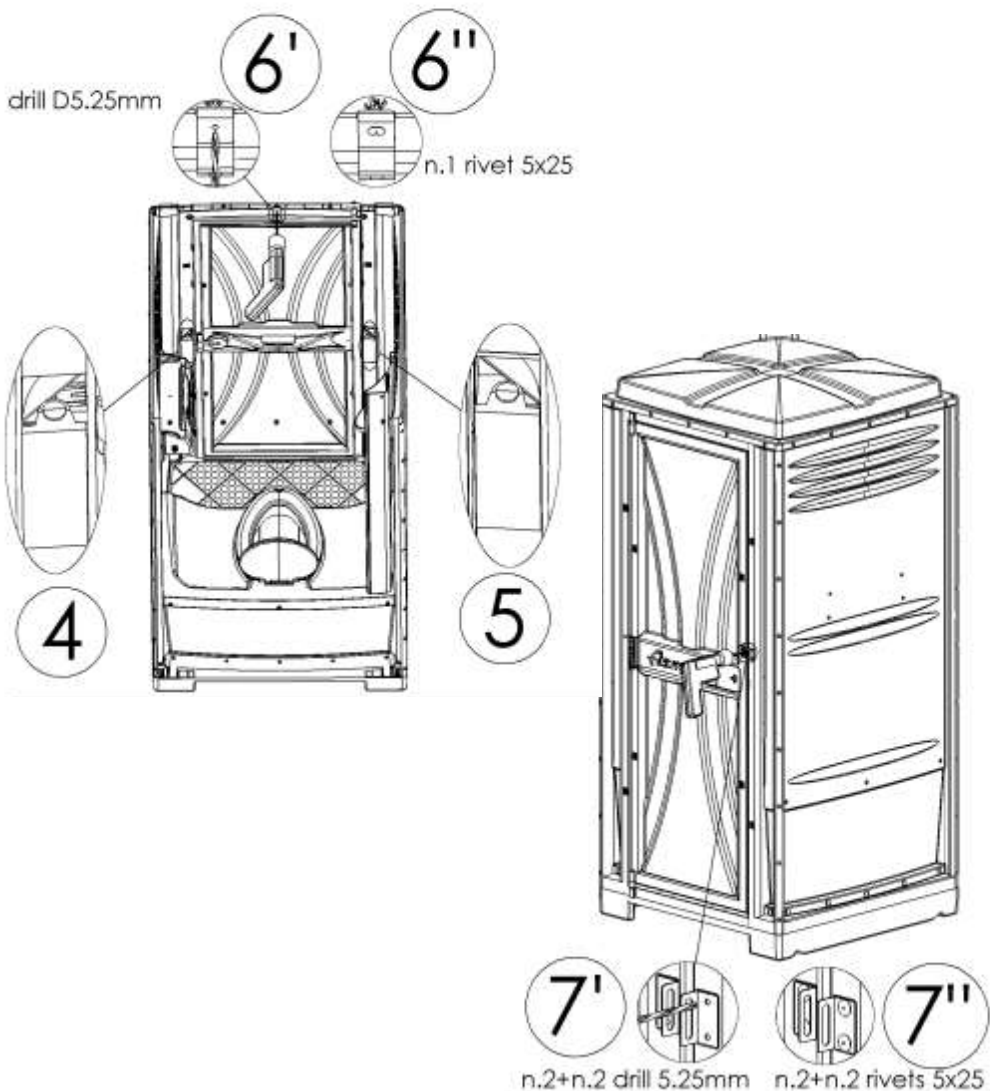


ATTENTION: IN CASE YOU ASSEMBLE THE ARMAL HAND WASH SINK AS ACCESSORY, THE TOILET PAPER HOLDER SHALL BE PUT ON THE WALL PANEL LEFT SIDE.

Position the toilet paper holder and drill from the internal toilet side the four holes using a 5.25 tip as shown at point No. 2

Insert No. 4 rivets from the toilet external side to fix the paper holder as shown at point No. 3

Insert the paper holder rod as shown at point No. 1



Install the 2 door frame caps into the door frame as shown at points 4 and 5

Fix the black coat hook in the upper part of the door frame with No. 1 rivet as shown at points 6' and 6''

Fix the 2 door lock metal plates in their specific location by using 4 rivets as shown at points 7' and 7''