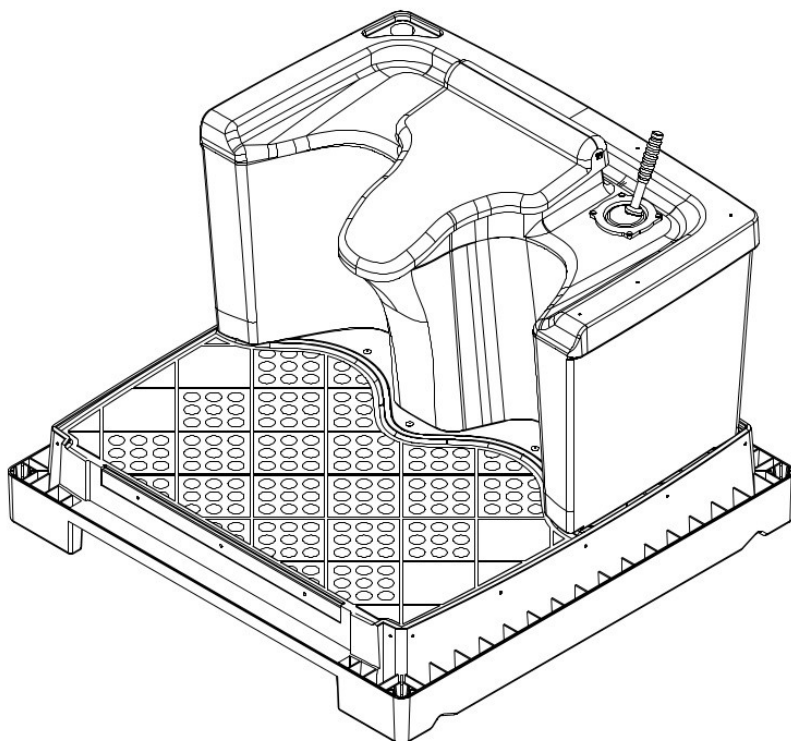


Mergo

DON'T TOUCH, AND GO

Recirculating Hand Pump

Rev. 1 del 01/06/2018



Armal[®]

Introduction

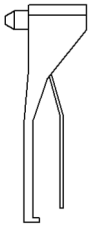
Armal portable restrooms and accessories must be assembled according to approved assembly procedures. Avoid variations in assembly procedures, which could adversely affect product life and warranty.

Assembly procedures are written for assembly of single units. If assembling multiple units, considerable efficiency can be gained by having a crew working in assembly line fashion.

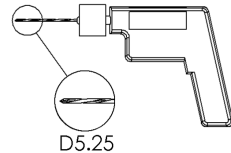
Don't open up all your kit boxes and bags. Open up only enough kit boxes/bags to assemble the number of toilets you are currently working on.

KEEP PARTS ORGANIZED.

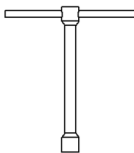
Required Tools



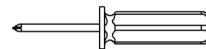
Rivet Gun



Drill (tip 5.25)



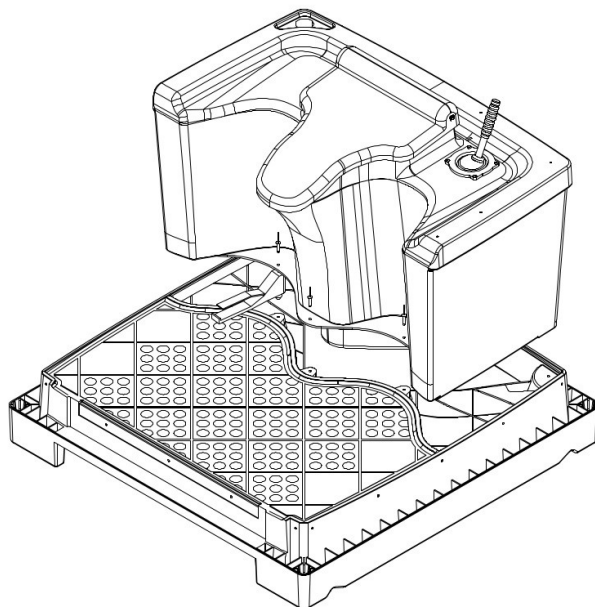
Wrench 8



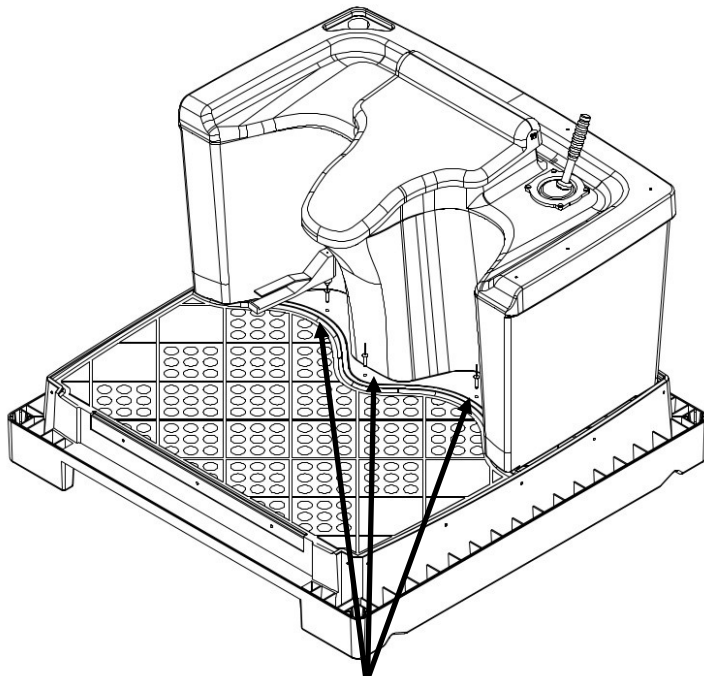
Star screwdriver



Armal key
Armal Key

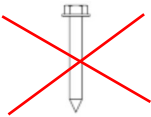
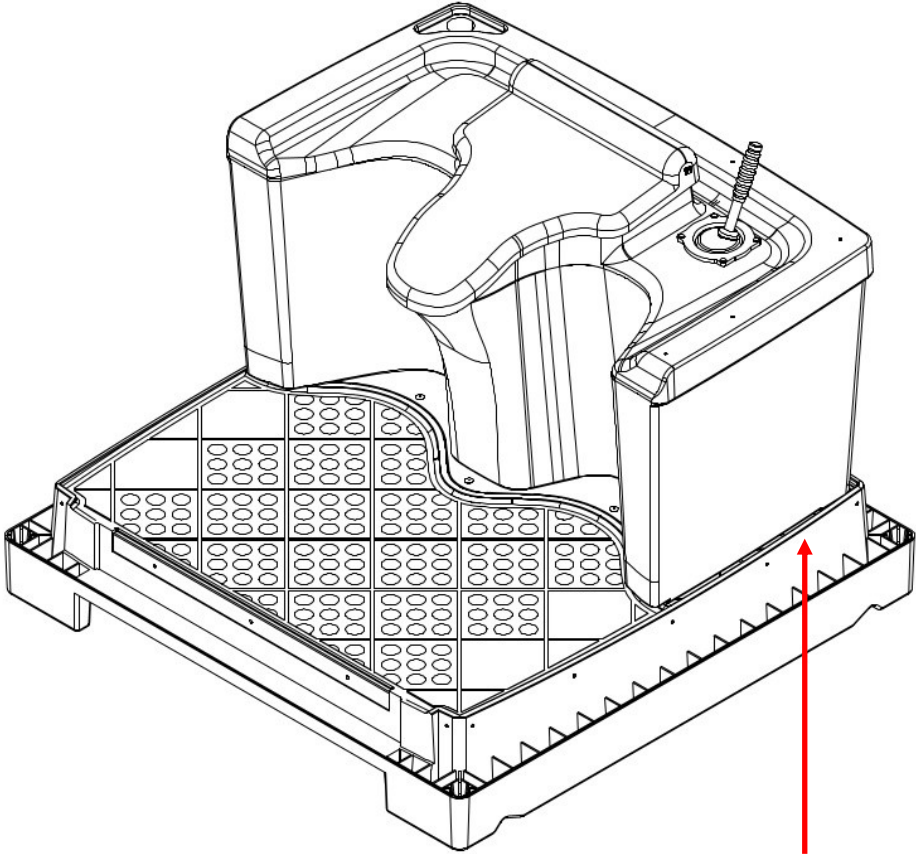


Take the Tank and place it on the floor

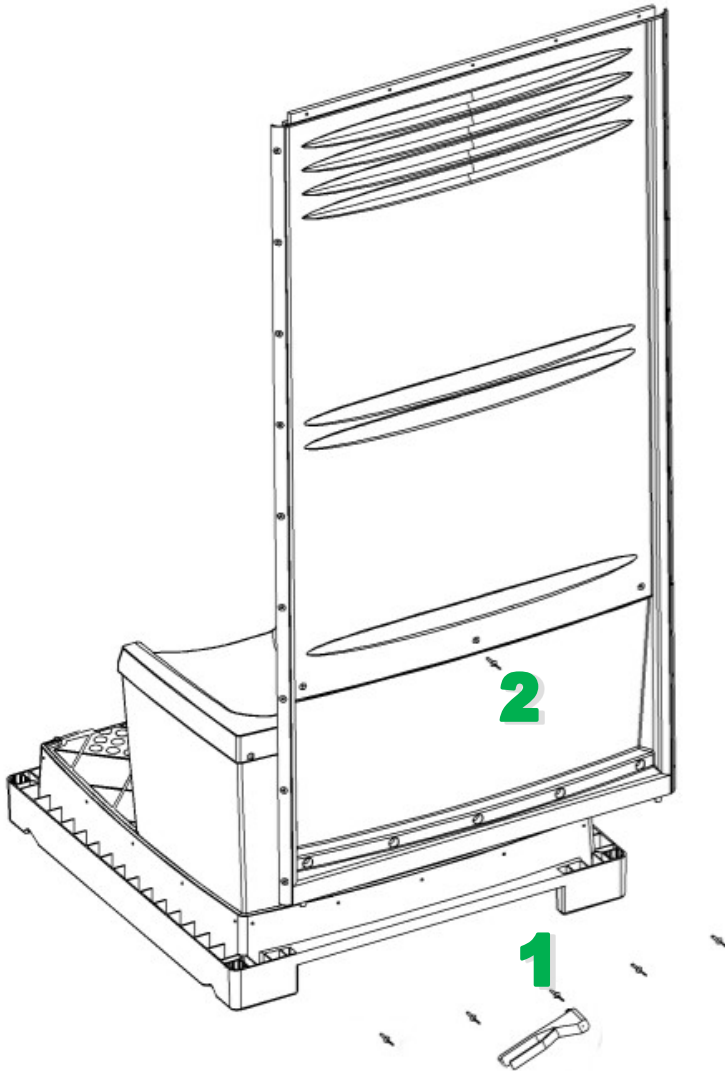


Fix with 3 rivets in the front of the base tank

IMPORTANT : DO NOT fix the tank with the screw on the back



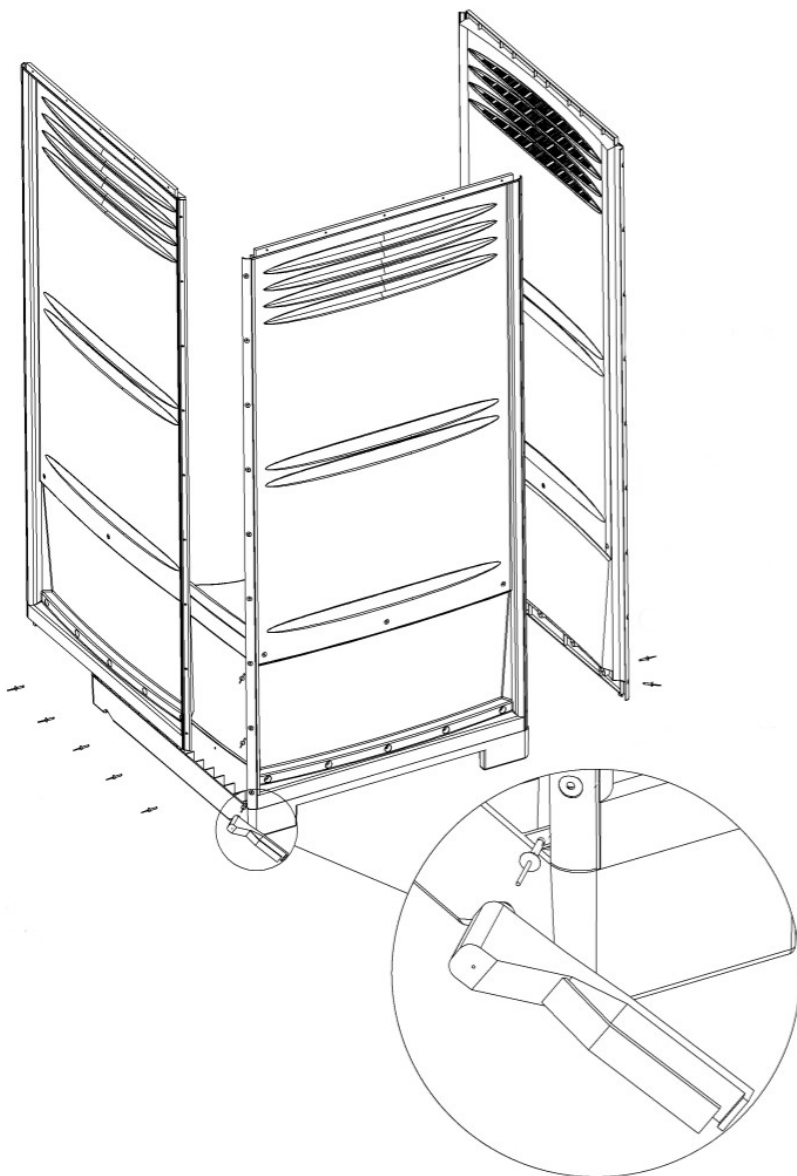
IMPORTANT : DO NOT fix the tank with the screw on the back



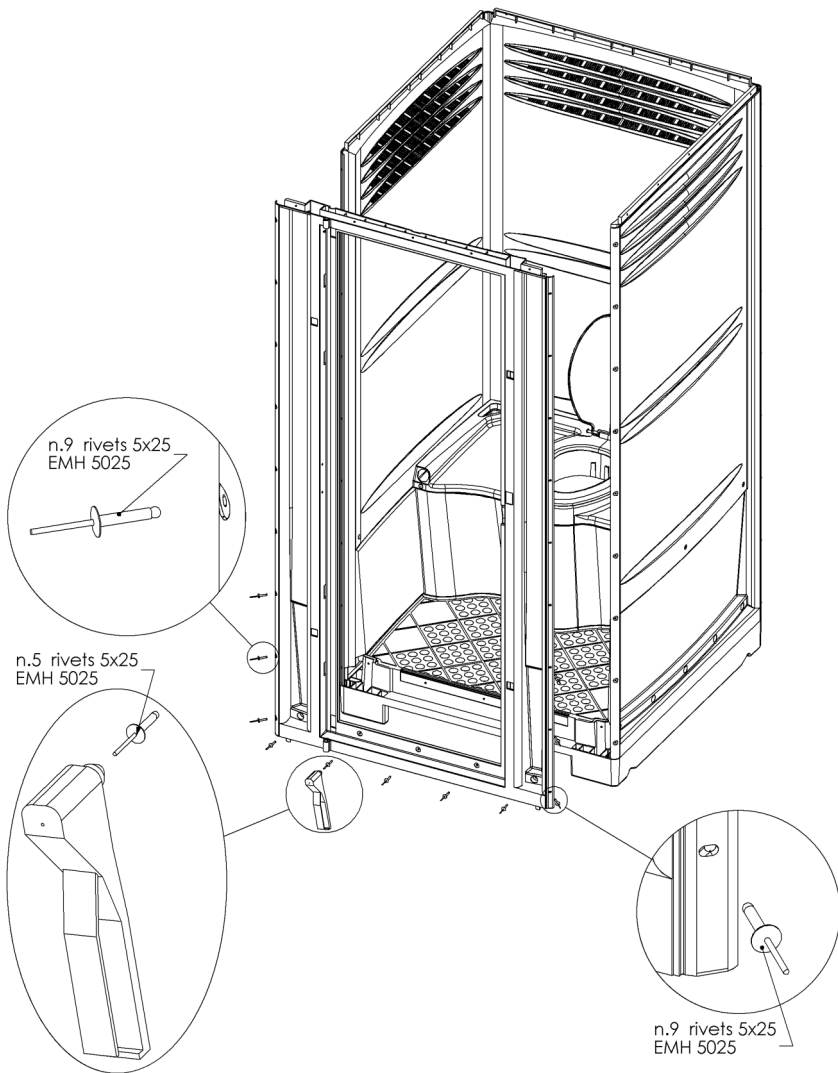
Take one wall panel, position it on the rear floor and fix it with rivets following these steps:

- 1) Fix first the central rivet to the floor
- 2) Drill the wall panel central point using a 5.25 tip and fix the panel with a rivet

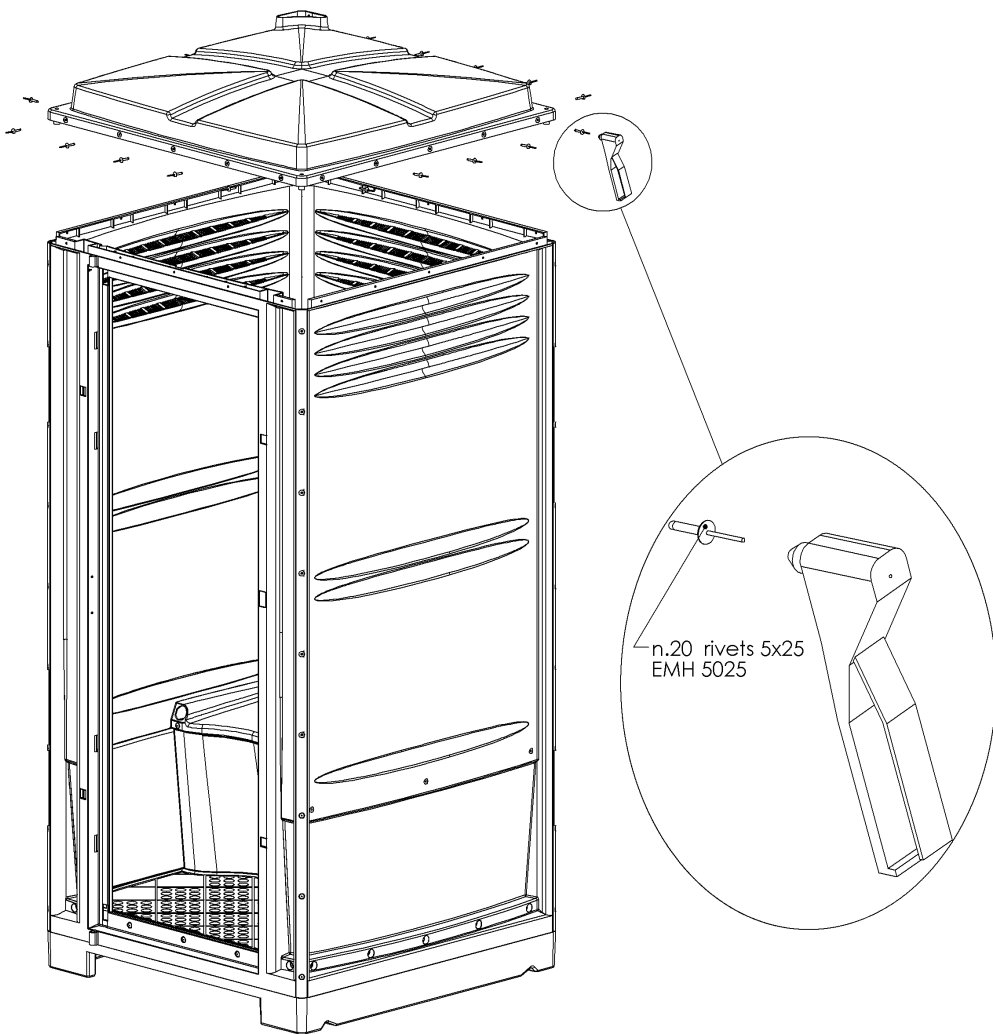
Complete fixing the wall panel to the floor with No. 8 rivets



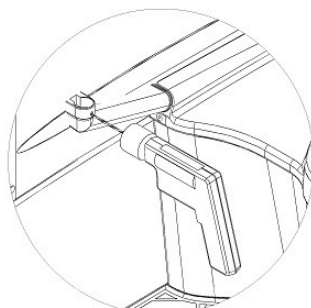
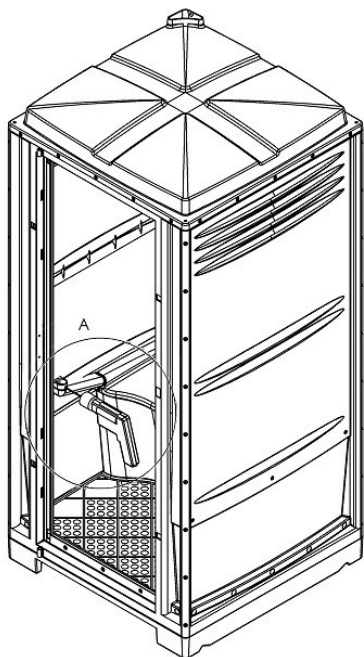
Proceed with the same steps of page 9 for the right and left side wall panels



Take the door frame and fix it to wall panels with
No. 23 rivets in total

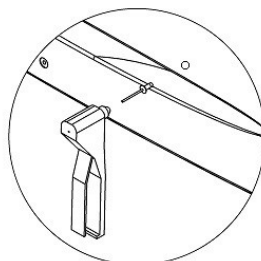
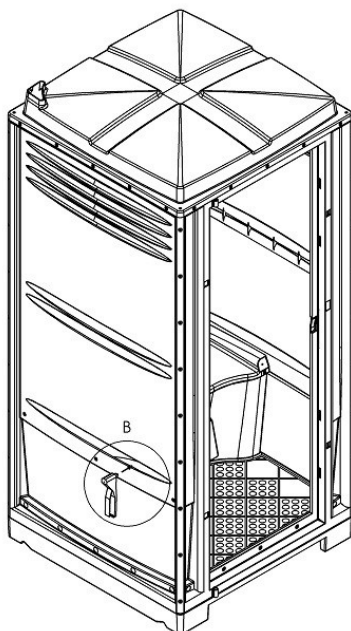


Position the roof and fix it with No. 20 rivets in total
(No. 5 units per roof side)



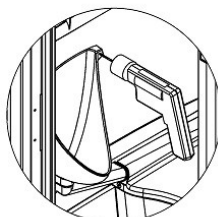
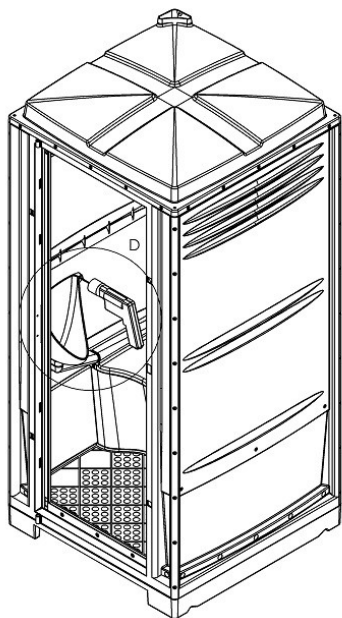
DETTAGLIO A

Place the urinal connection hose inside the toilet tank cover and drill the wall panel from inside by using a 5.25 tip as shown in detail A



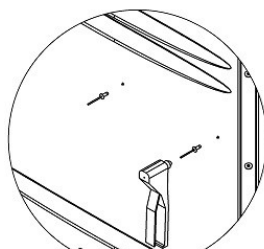
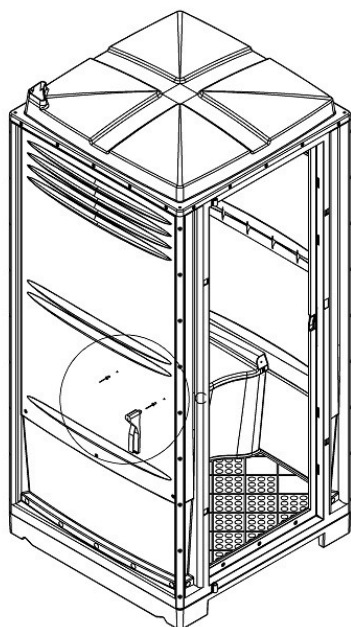
DETTAGLIO B

Fix the urinal connection hose with No. 1 rivet from the outside



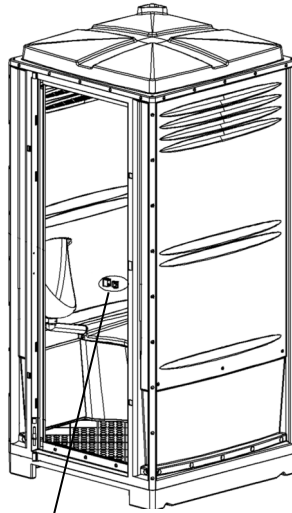
DETTAGLIO D

Place the urinal inside the urinal connection hose; drill the wall panel at exact location of the 2 urinal holes by using a 5.25 tip as shown in detail D



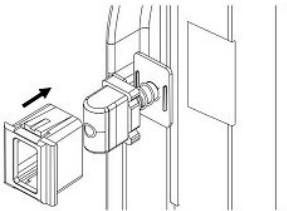
DETTAGLIO C

Fix finally the urinal with No. 2 rivets from the outside as shown in detail C

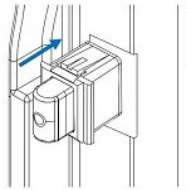


NEW ADJUSTABLE DOOR NOISE DEFLECTOR ASSEMBLY.
It allows to adjust the door lock's strength according to customers' needs and wind conditions.

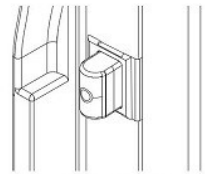
Installation



STEP 1

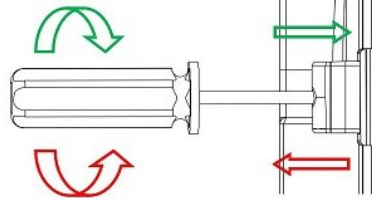
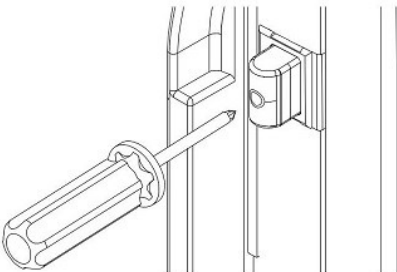


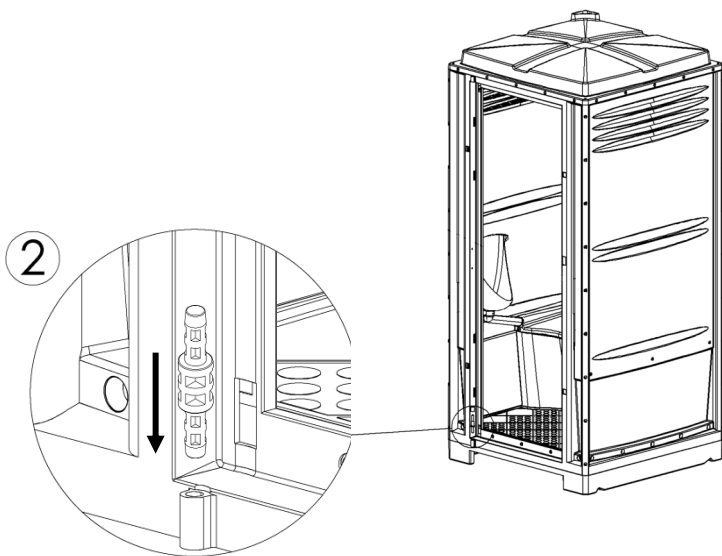
STEP 2



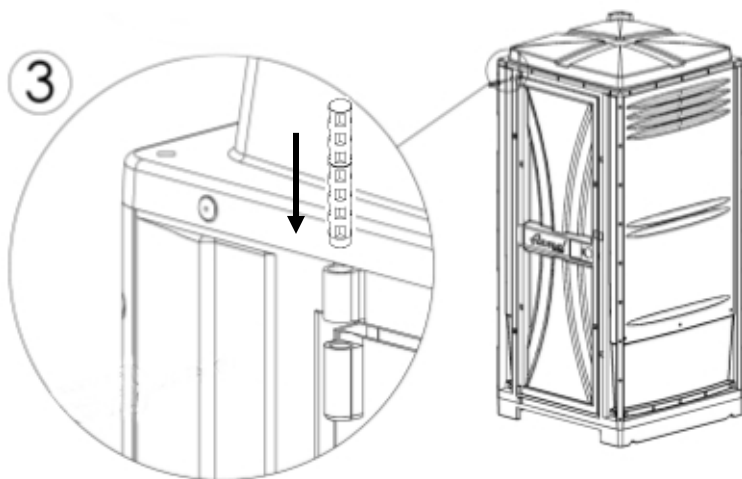
STEP 3

Adjustment

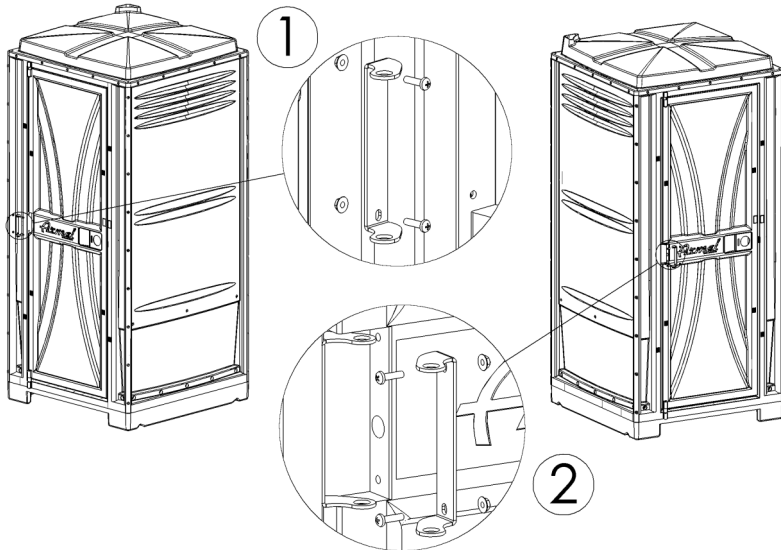




Place the bottom door pin.



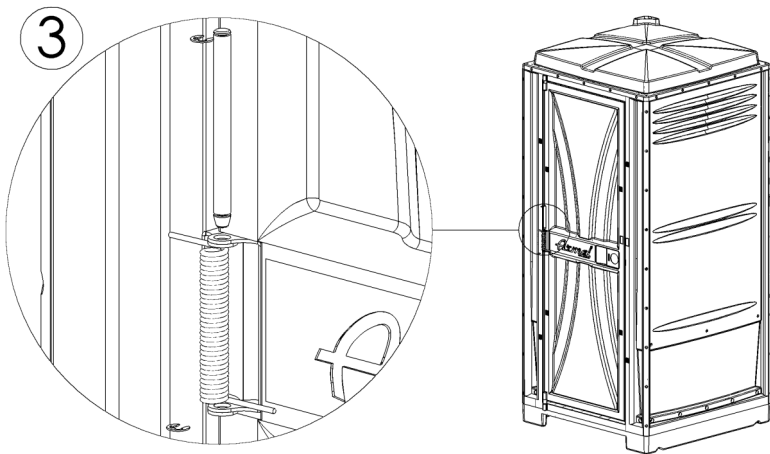
Insert the door into the bottom pin.
Complete assembly by placing the upper door pin.



Install the door spring's hinge into the toilet door and door frame

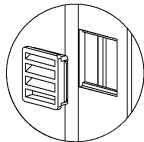
ATTENTION: Use No. 2 screws 05x16 and No. 2 nuts M.5

DO NOT USE RIVETS FOR THIS INSTALLATION

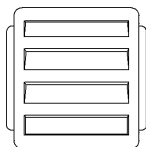
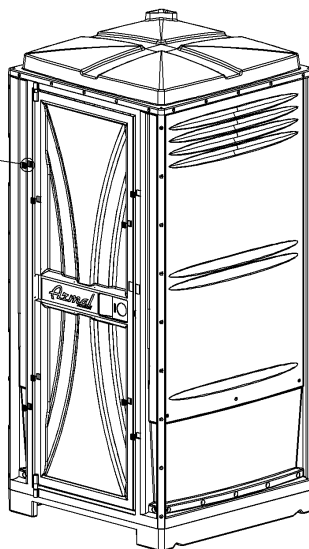


Place the door spring and make first half turn of preloading; then, place the door spring's hub and fix the two parts with No. 2 rings for metal bar D 8 Stainless

PUSH TO FIX



n.8 external



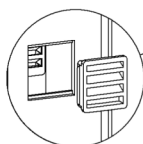
TOP



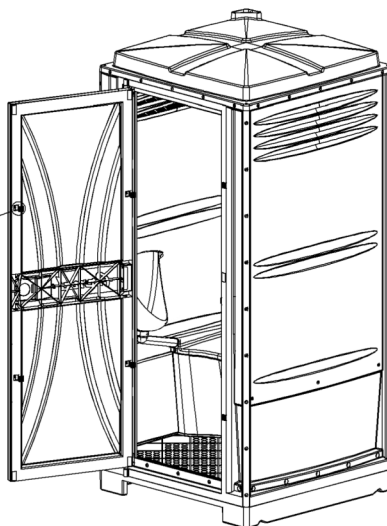
EXT

Insert No. 8 grilles for door/door frame in the external specific spaces of the door frame.

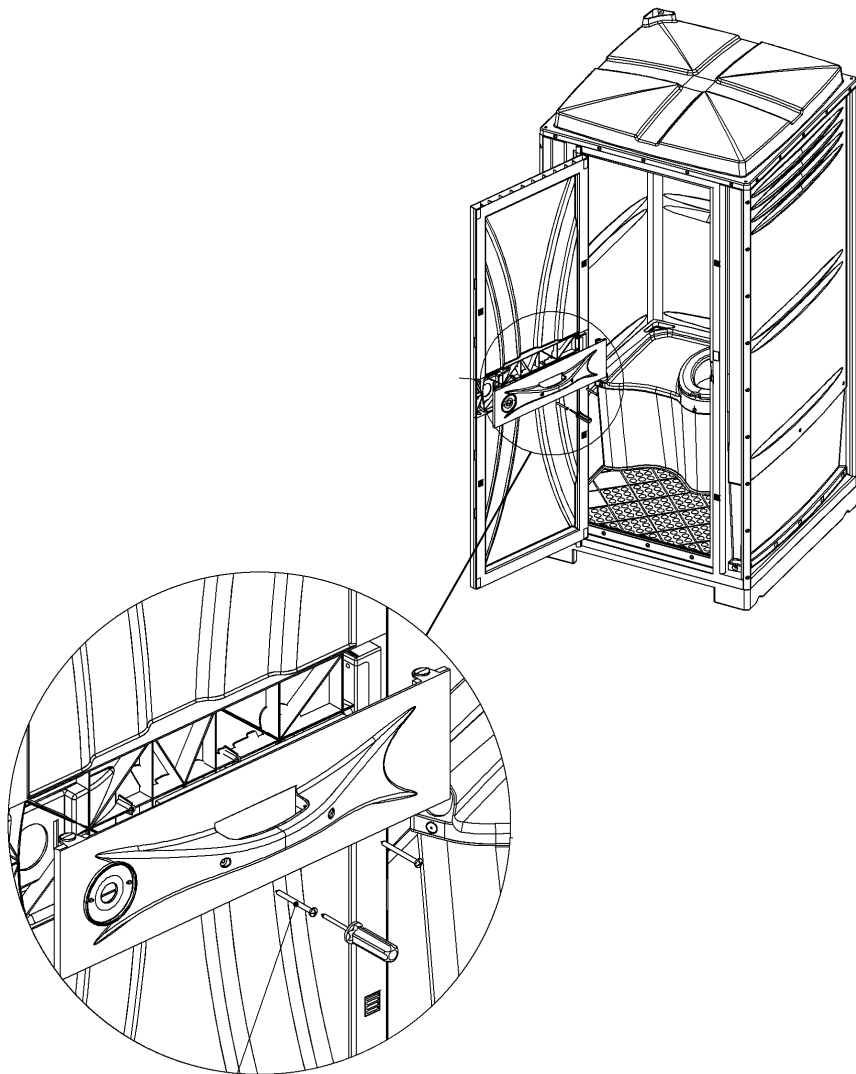
n.8 internal



PUSH TO FIX

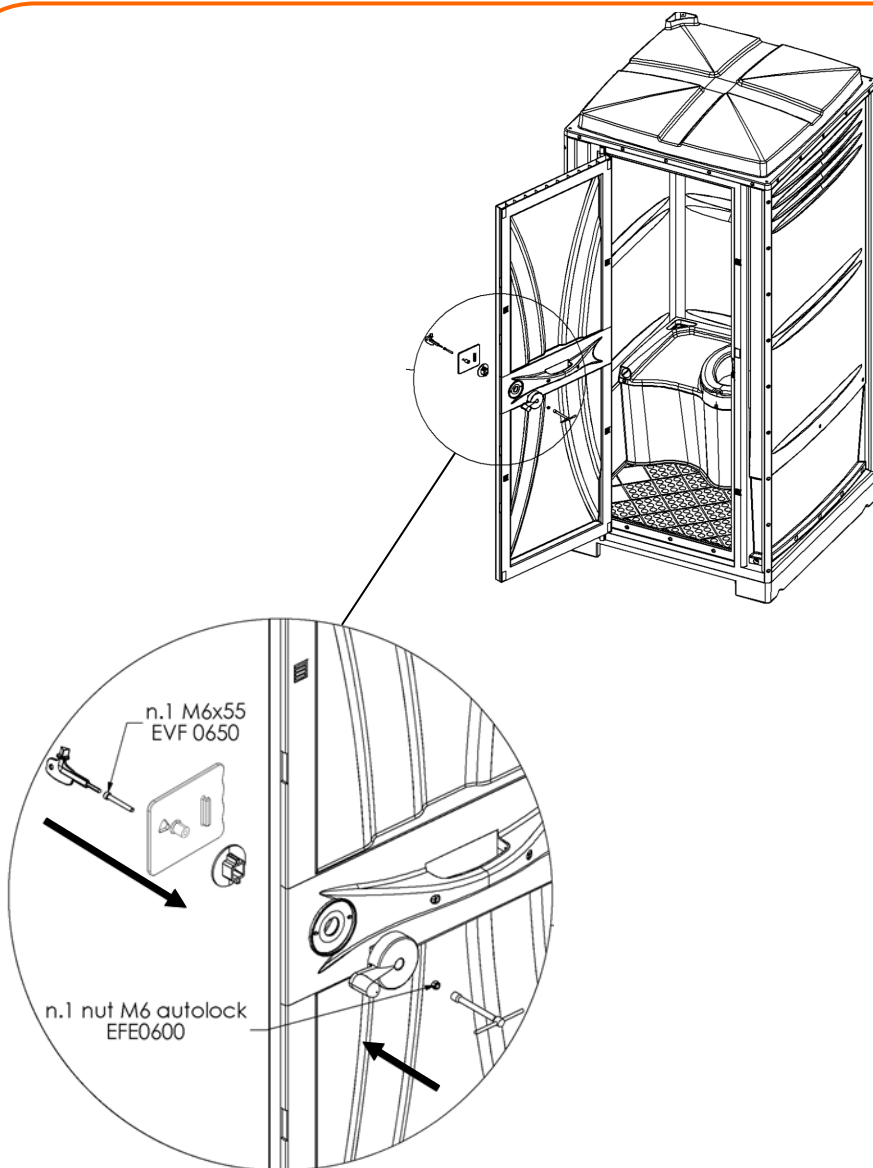


Insert No. 8 grilles for door/door frame in the internal specific spaces of the door



n.2 screws
DIN7505-B 6.0x70
EVR 6070

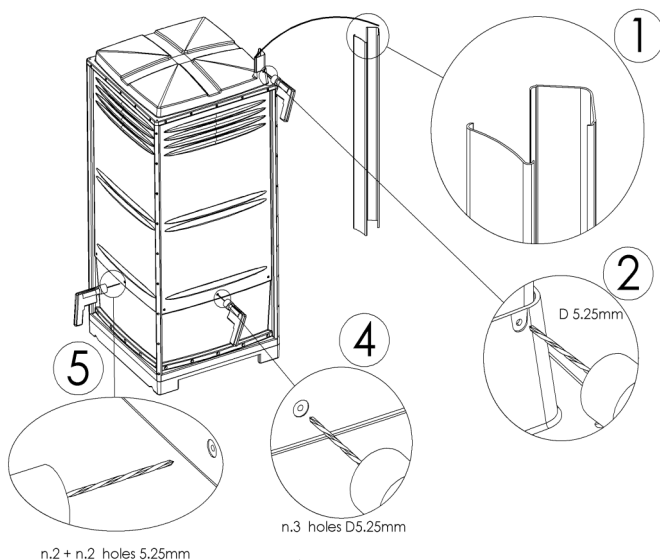
Place the door handle on the internal part of the door
and fix it with No. 2 screws 60x70



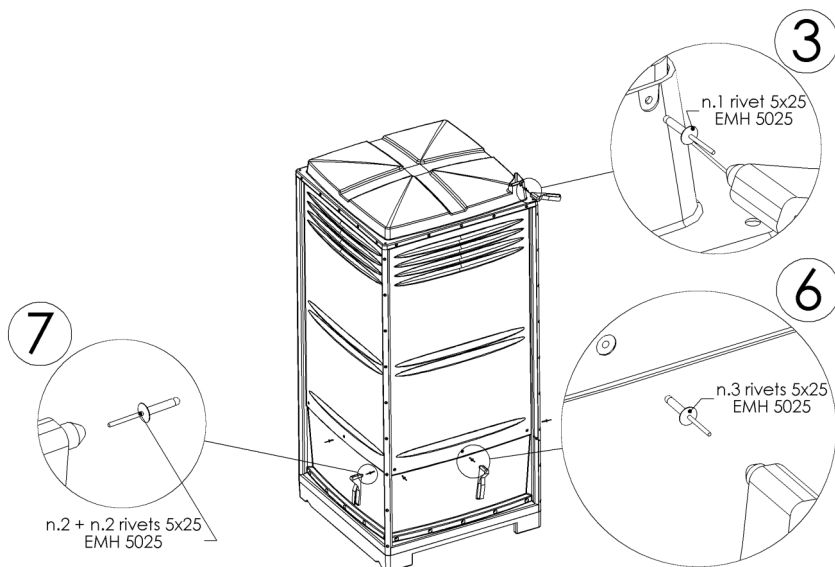
All mentioned parts are contained in the door lock kit

Insert the door latch on the internal side of the door handle. Fix the green/red indicator and the indicator mount to the door latch with No. 1 screw 06x55 from the external side of the door (tighten the door latch to adjust its strength)

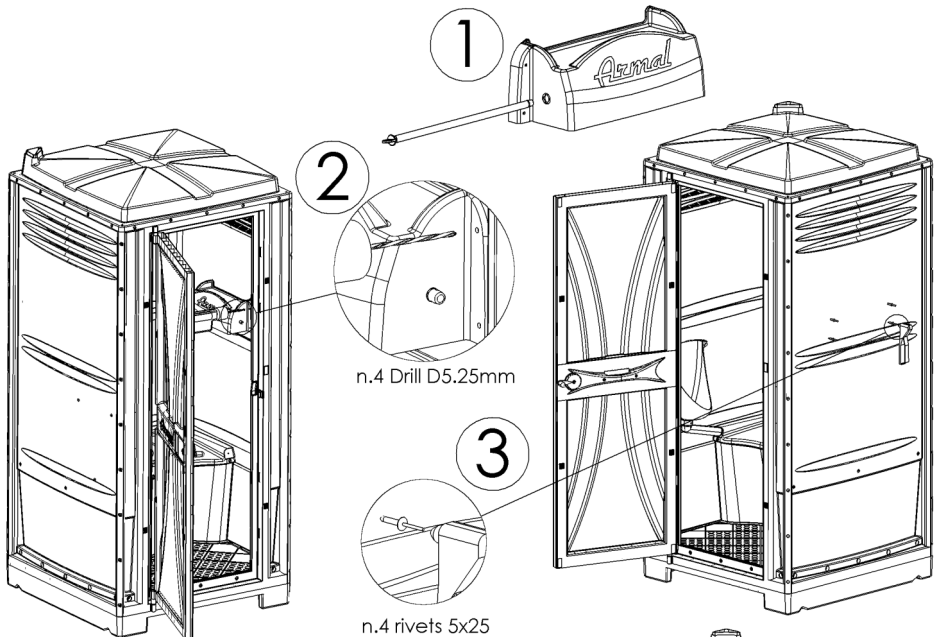
Complete the assembly with a self-blocking nut from the internal side.
Use the Armal key to hold the screw



Insert the ventilation pipe into the cover tank and roof
 Drill the roof and the wall panel by using a 5.25 tip where indicated (No. 5 holes in total)



Fix the ventilation pipe to roof and panel by using No. 8 rivets in total



ATTENTION: IN CASE YOU ASSEMBLE THE ARMAL HAND WASH SINK AS ACCESSORY, THE TOILET PAPER HOLDER SHALL BE PUT ON THE WALL PANEL LEFT SIDE.

Position the toilet paper holder and drill from the internal toilet side the four holes using a 5.25 tip as shown at point No. 2

Insert No. 4 rivets from the toilet external side to fix the paper holder as shown at point No. 3

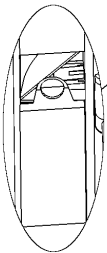
Insert the paper holder rod as shown at point No. 1

drill D5.25mm

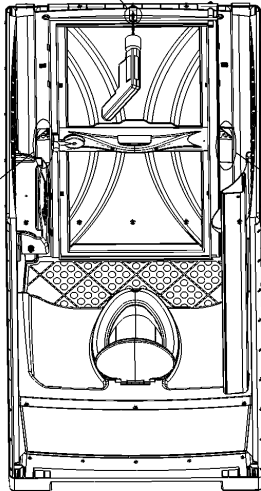
6'

6''

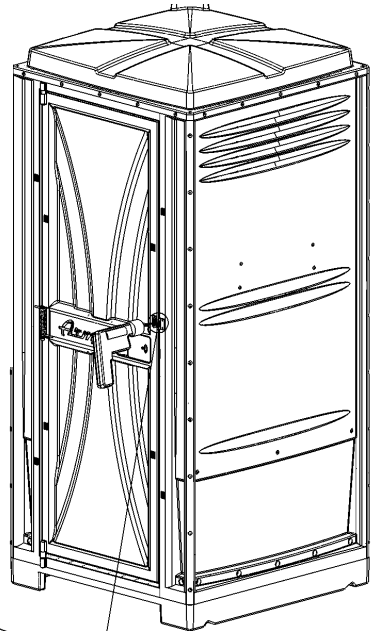
n.1 rivet 5x25



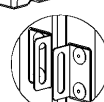
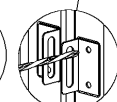
4



5



7'



7''

n.2+n.2 drill 5.25mm

n.2+n.2 rivets 5x25

Install the 2 door frame caps into the door frame as shown at points 4 and 5

Fix the black coat hook in the upper part of the door frame with No. 1 rivet as shown at points 6' and 6''

Fix the 2 door lock metal plates in their specific location by using 4 rivets as shown at points 7' and 7''

Demag®