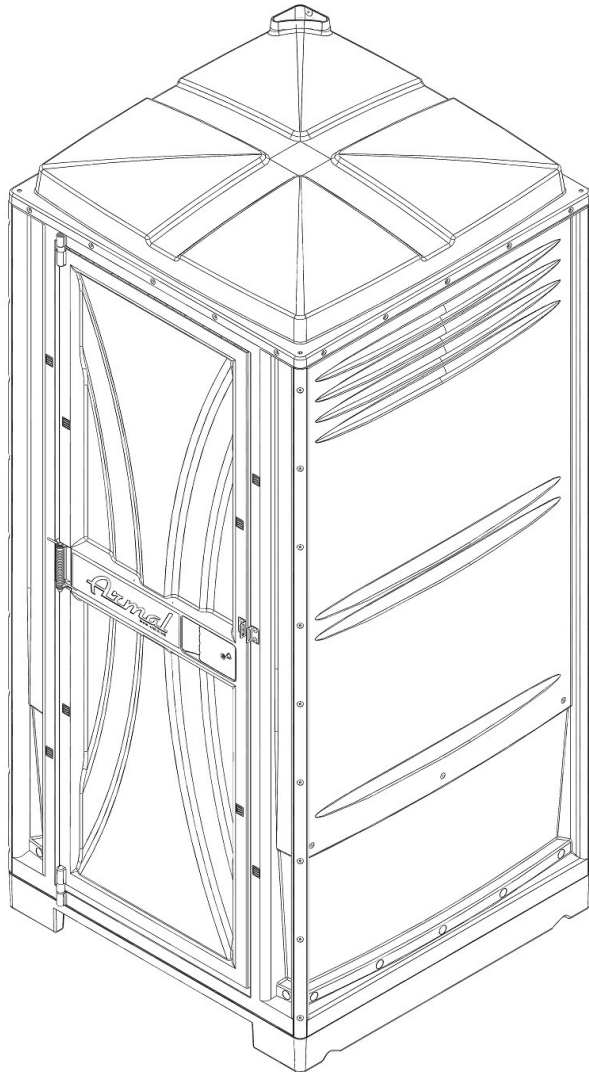


Cube Cabin + Removable Tank

Rev. 0 del 01/09/2018



Armal®

Introduction

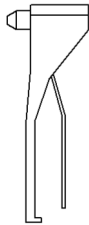
Armal portable restrooms and accessories must be assembled according to approved assembly procedures. Avoid variations in assembly procedures, which could adversely affect product life and warranty.

Assembly procedures are written for assembly of single units. If assembling multiple units, considerable efficiency can be gained by having a crew working in assembly line fashion.

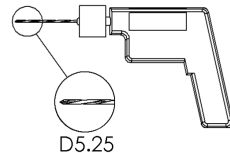
Don't open up all your kit boxes and bags. Open up only enough kit boxes/bags to assemble the number of toilets you are currently working on.

KEEP PARTS ORGANIZED.

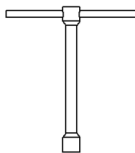
Required Tools



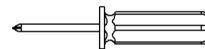
Rivet Gun



Drill (tip 5.25)



Wrench 8 and 10

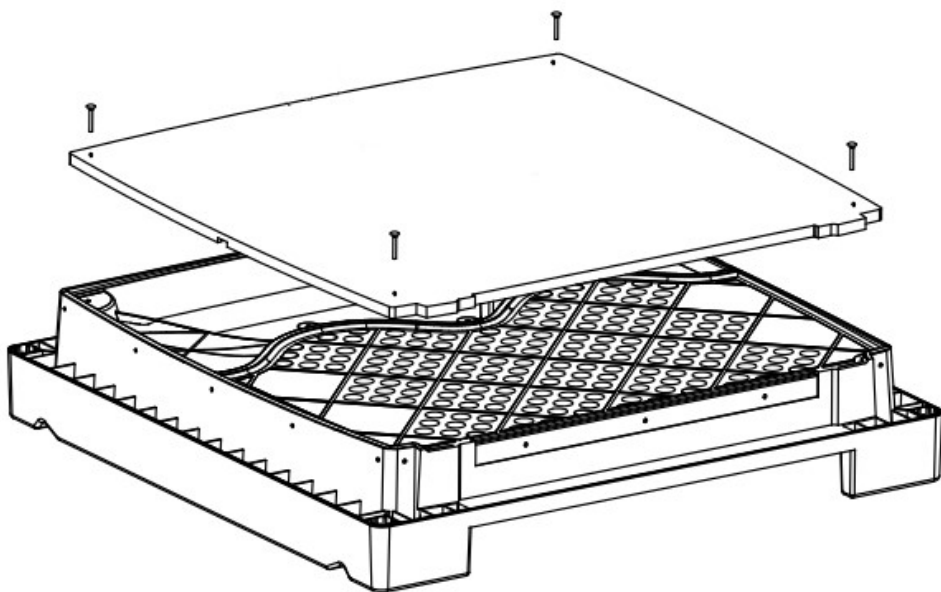


Star screwdriver

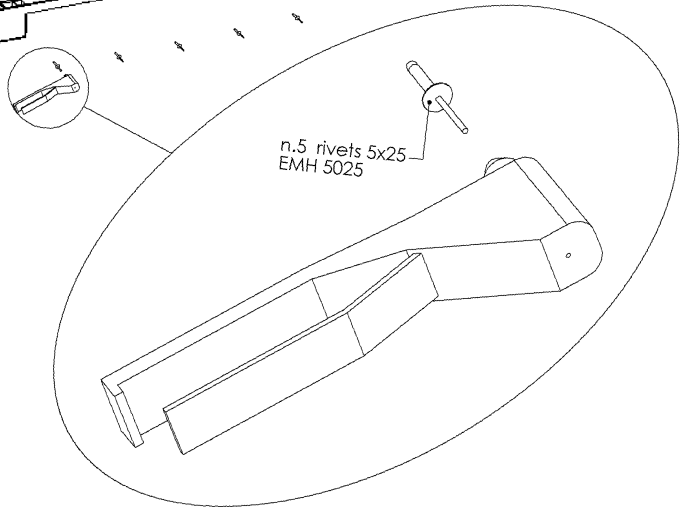
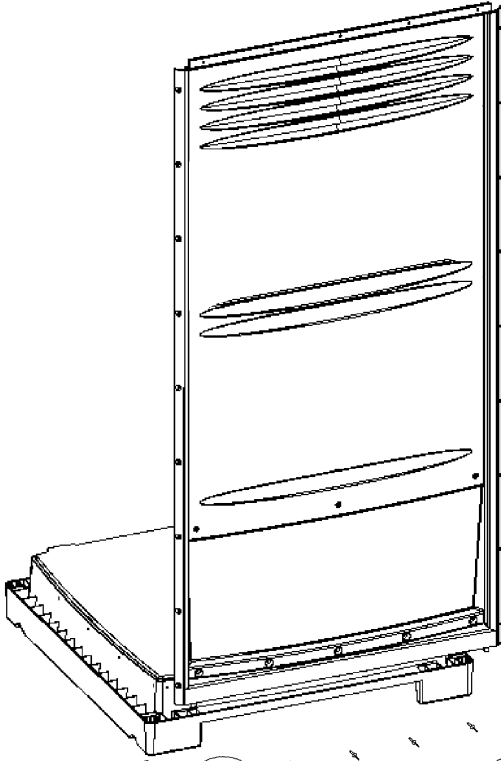


Armal key
Armal Key

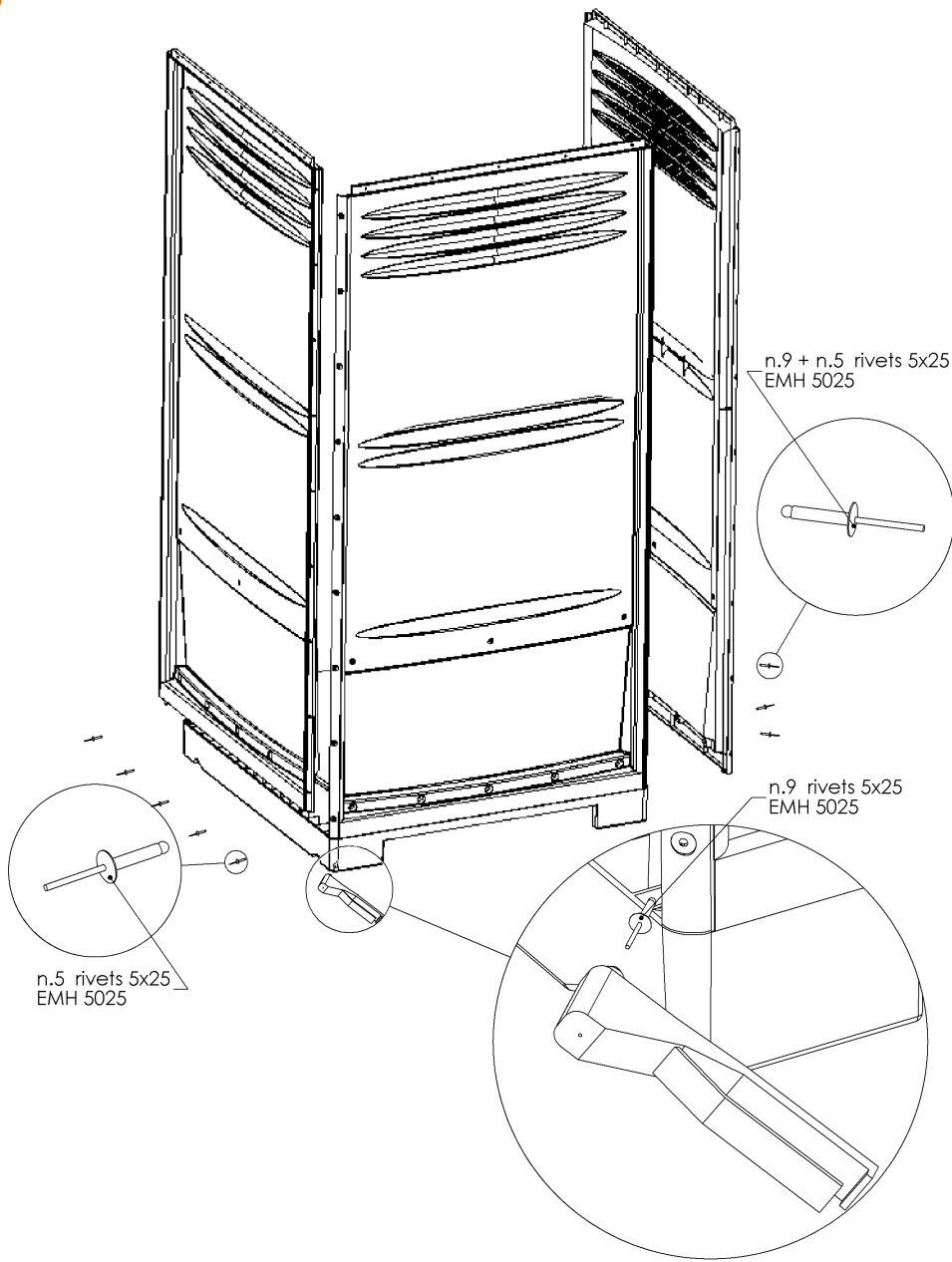
ASSEMBLY INSTRUCTIONS



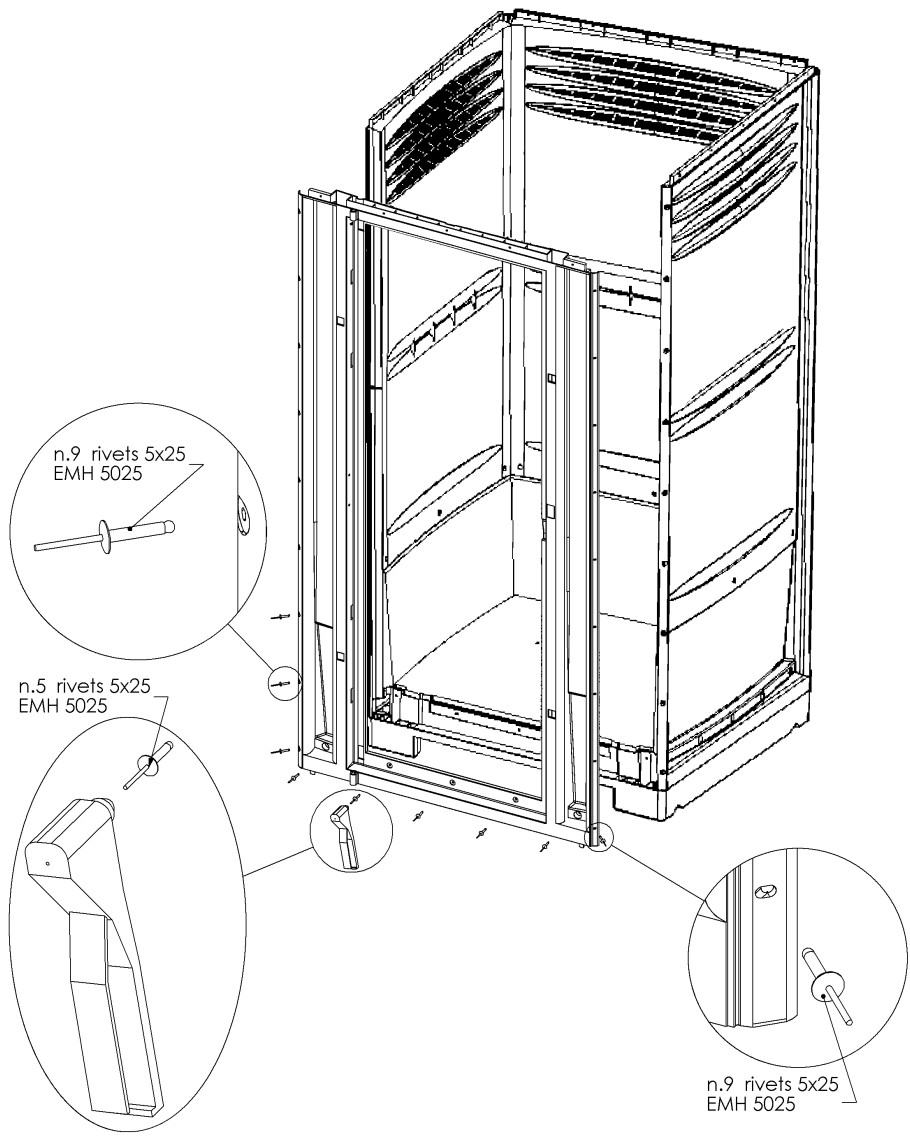
Take the woodfloor and fix with N° 4 screws 4,8x38 in the corners



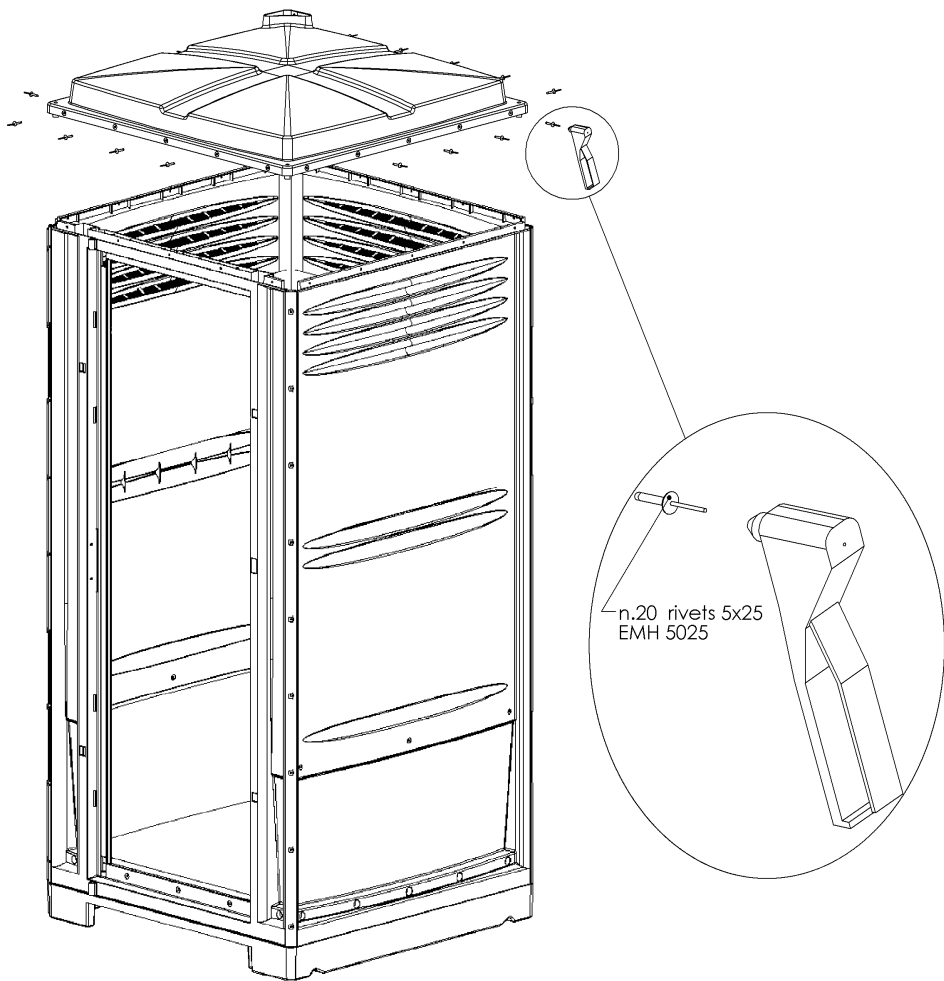
Take one wall panel, position it on the rear floor and fix it with rivets



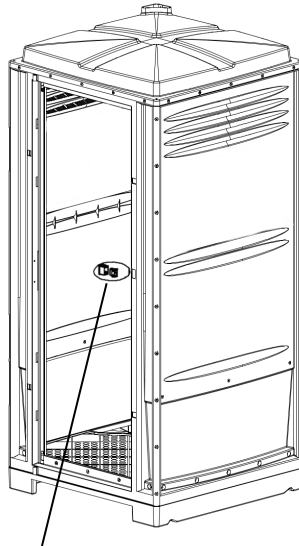
Proceed with the same steps for the right and left side wall panels



Take the door frame and fix it to wall panels with
No. 23 rivets in total

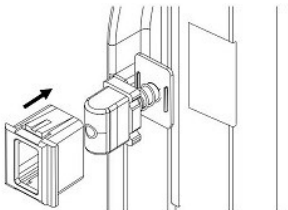


Position the roof and fix it with No. 20 rivets in total
(No. 5 units per roof side)

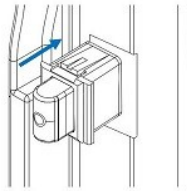


NEW ADJUSTABLE DOOR NOISE DEFLECTOR ASSEMBLY.
It allows to adjust the door lock's strength according to customers' needs and wind conditions.

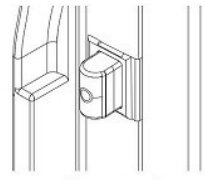
Installation



STEP 1

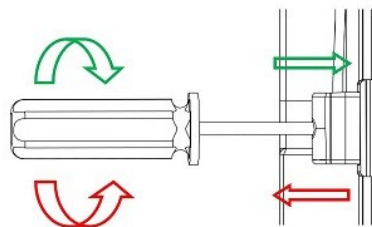
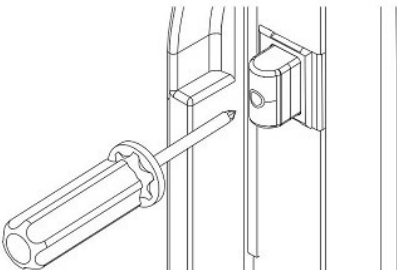


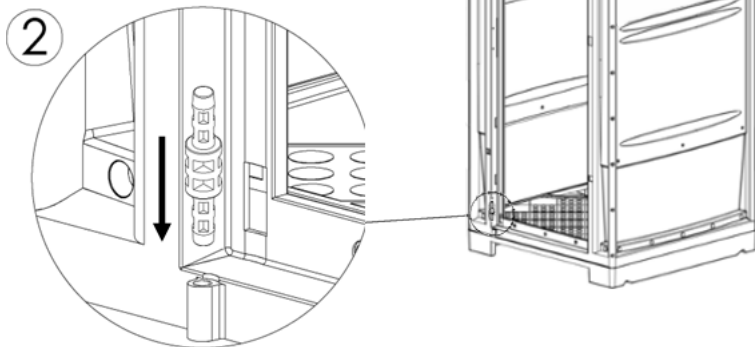
STEP 2



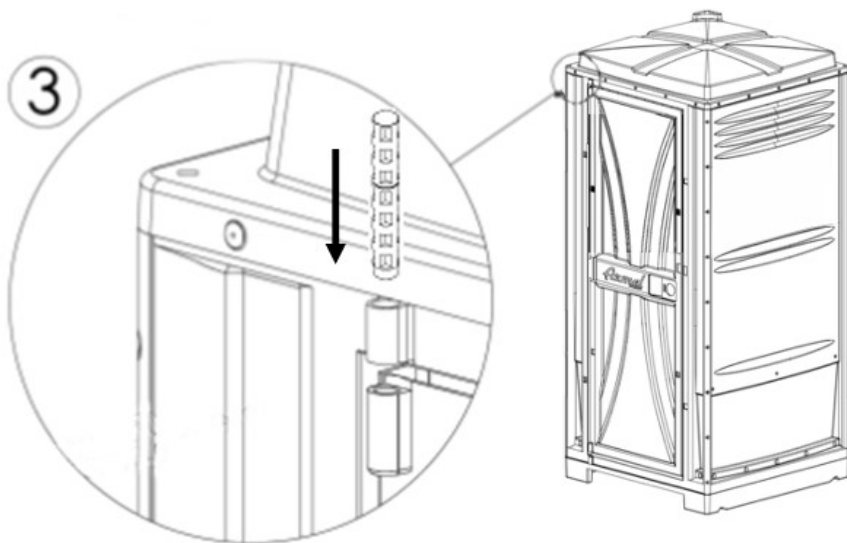
STEP 3

Adjustment



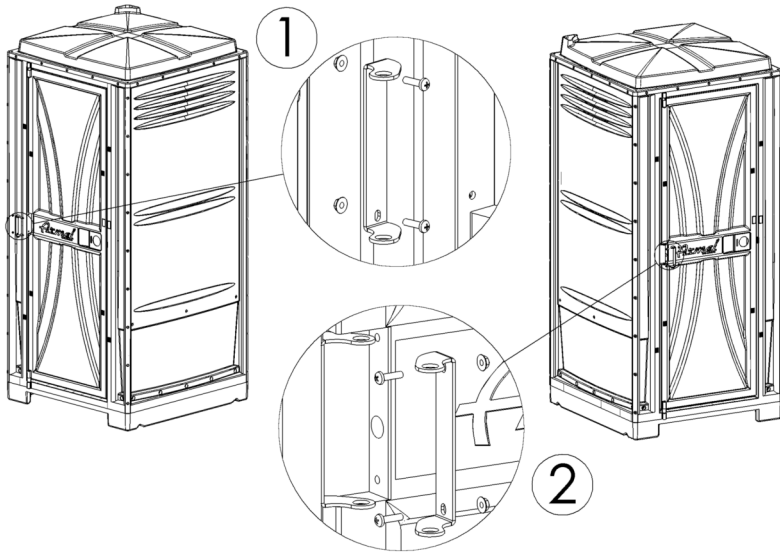


Place the bottom door pin.



Insert the door into the bottom pin.

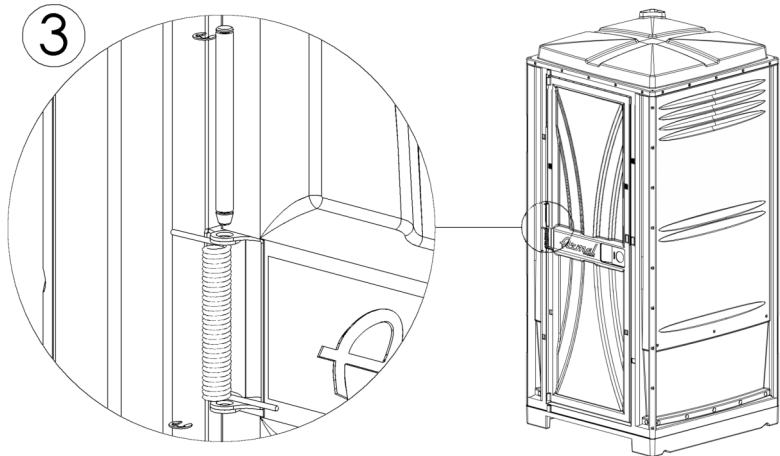
Complete assembly by placing the upper door pin.



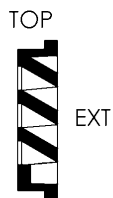
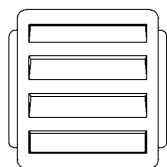
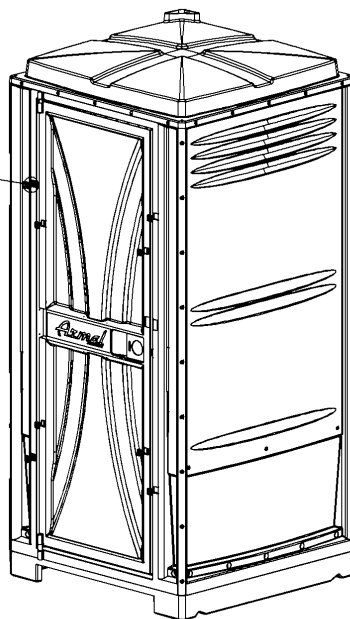
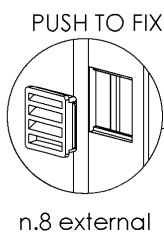
Install the door spring's hinge into the toilet door and door frame

ATTENTION: Use No. 2 screws 05x16 and No. 2 nuts M.5

DO NOT USE RIVETS FOR THIS INSTALLATION

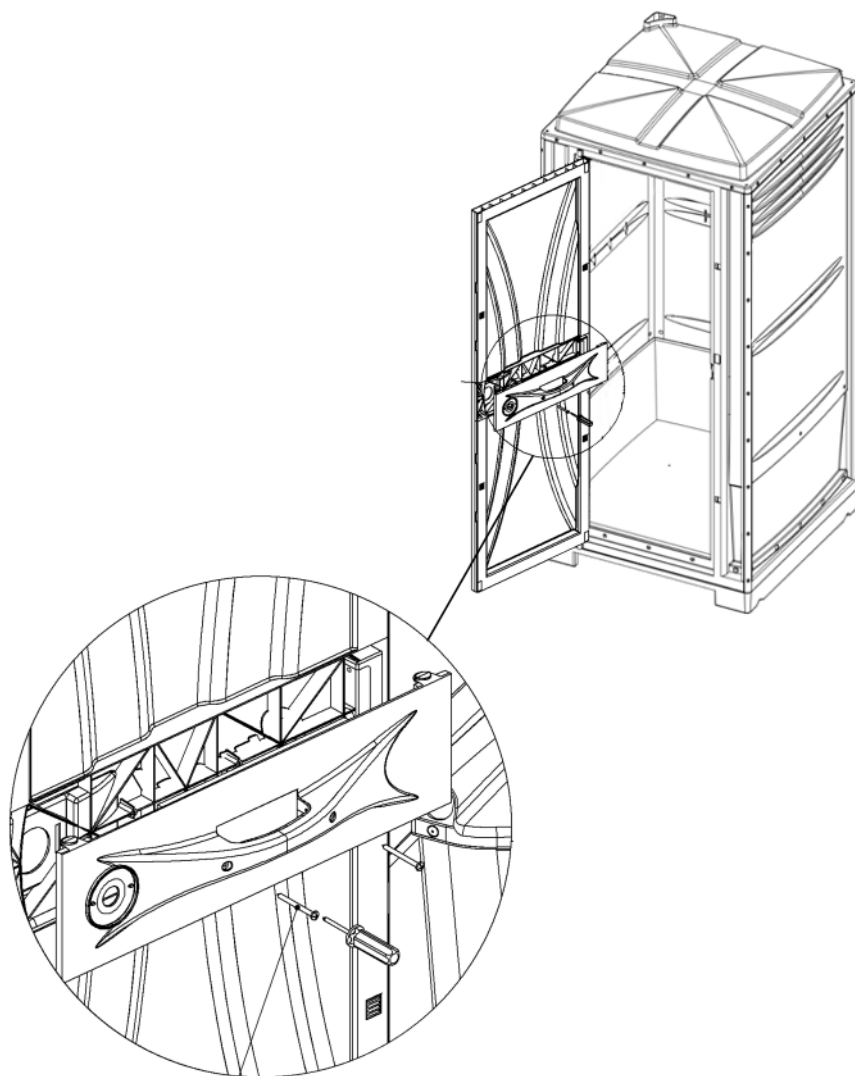


Place the door spring and make first half turn of preloading; then, place the door spring's hub and fix the two parts with No. 2 rings for metal bar D 8 Stainless



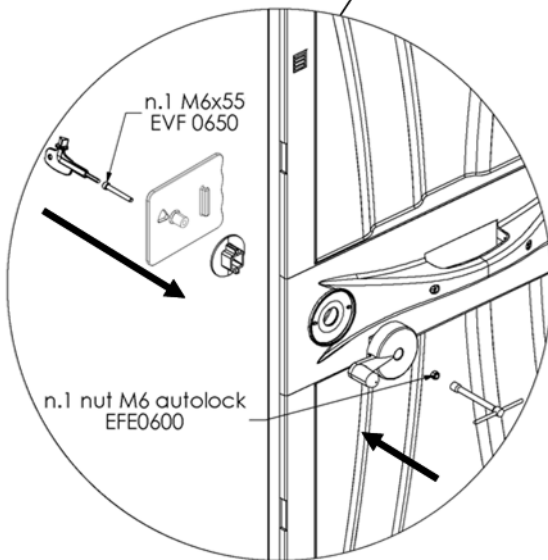
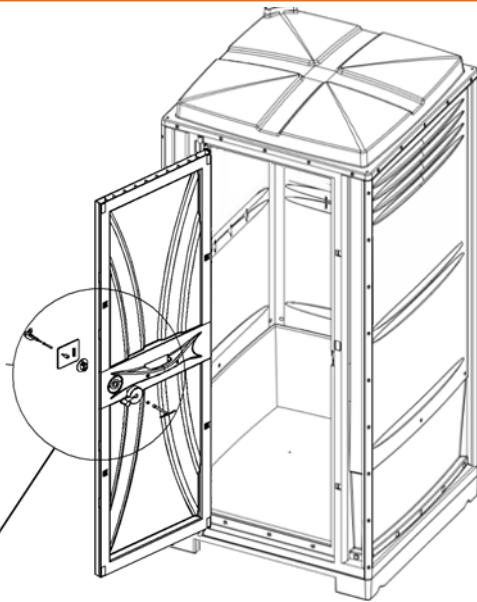
Insert No. 8 grilles for door/door frame in the external specific spaces of the door frame.

Insert No. 8 grilles for door/door frame in the internal specific spaces of the door



n.2 screws
DIN7505-B 6.0x70
EVR 6070

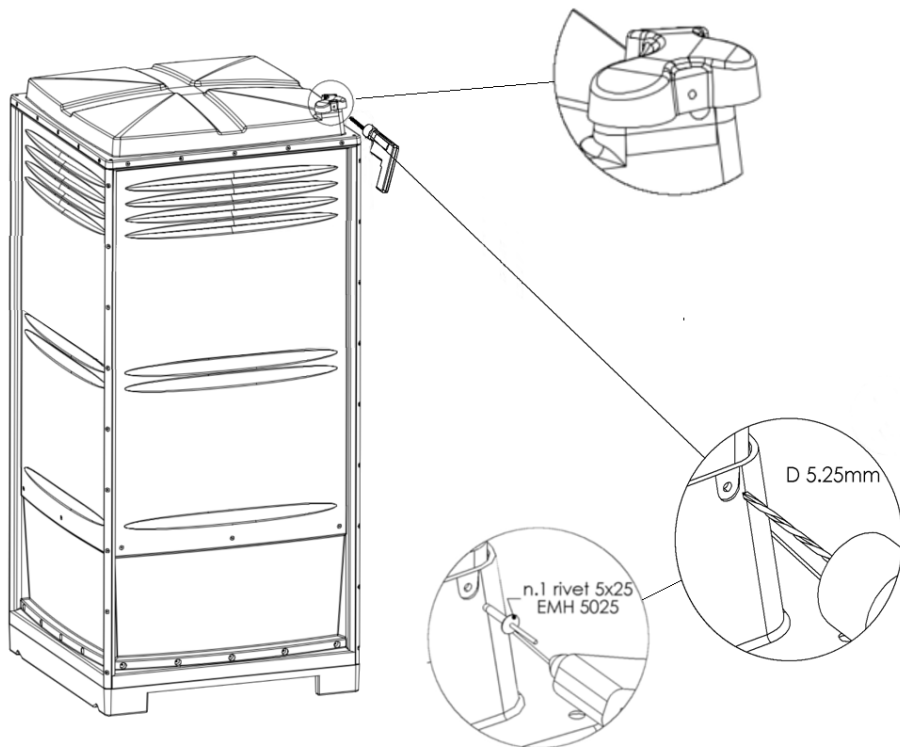
Place the door handle on the internal part of the door
and fix it with No. 2 screws 60x70



All mentioned parts are contained in the door lock kit

Insert the door latch on the internal side of the door handle. Fix the green/red indicator and the indicator mount to the door latch with No. 1 screw 06x55 from the external side of the door (tighten the door latch to adjust its strength)

Complete the assembly with a self-blocking nut from the internal side.
Use the Armal key to hold the screw



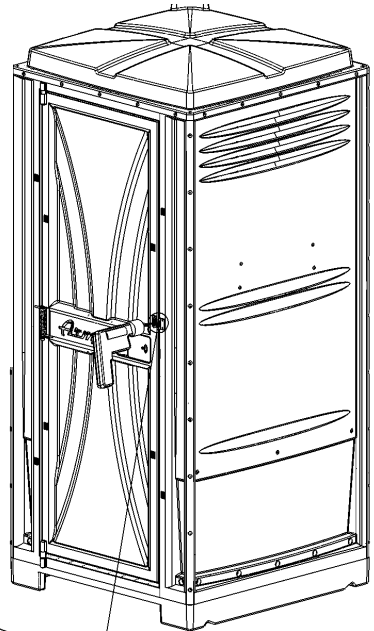
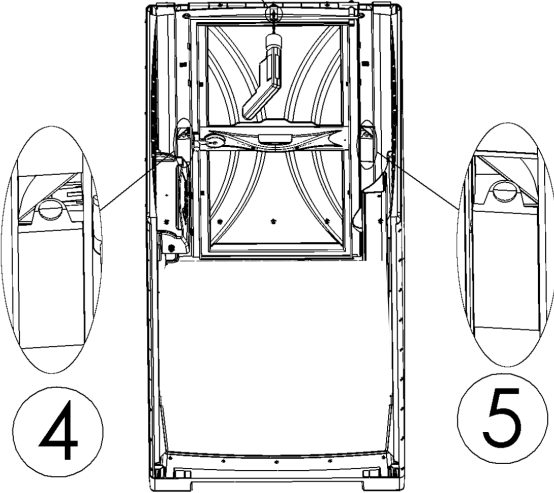
Fix the cap for ventilation to roof by using No. 2 rivets in total

drill D5.25mm

6'

6''

n.1 rivet 5x25



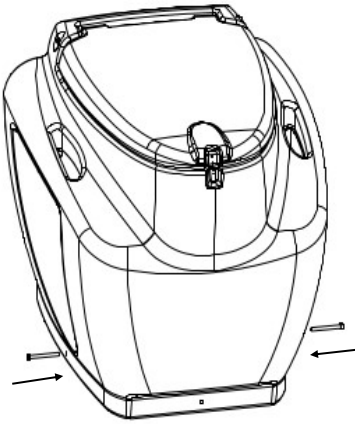
n.2+n.2 drill 5.25mm

n.2+n.2 rivets 5x25

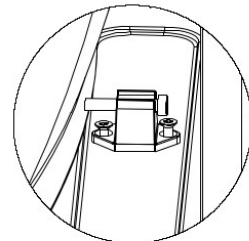
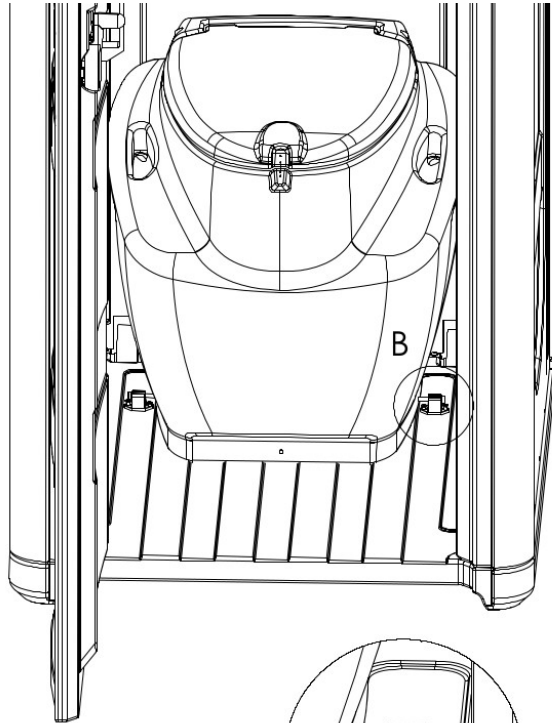
Install the 2 door frame caps into the door frame as shown at points 4 and 5

Fix the black coat hook in the upper part of the door frame with No. 1 rivet as shown at points 6' and 6''

Fix the 2 door lock metal plates in their specific location by using 4 rivets as shown at points 7' and 7''



Fix the 2 screws M6x55 down the waste holding tank. **(Kit 9)**



DETTAGLIO B

Position the waste holding tank inside the toilet and fix the two hooks to the base.

Demag®