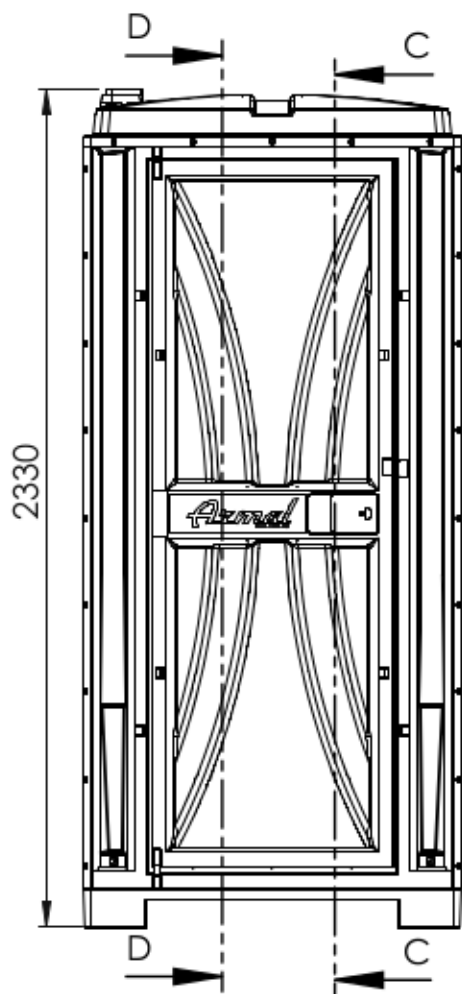
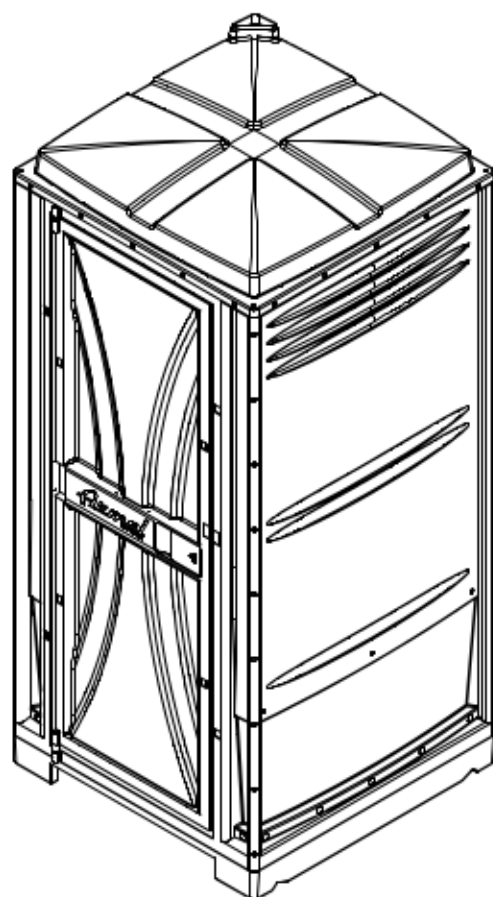
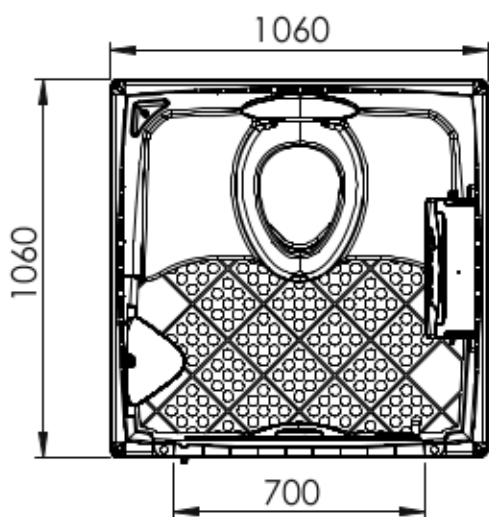


SEZIONE C-C



SEZIONE D-D



TECHNICAL SPECIFICATIONS

Material Used	PE HD + Anti UV Treatment
External Dimension (mm)	1060x1060x2330
Internal Dimension (mm)	1000x1000x2120
Tank Capacity	210 Lt. ca.
Weight Empty	78 Kg

Armal.