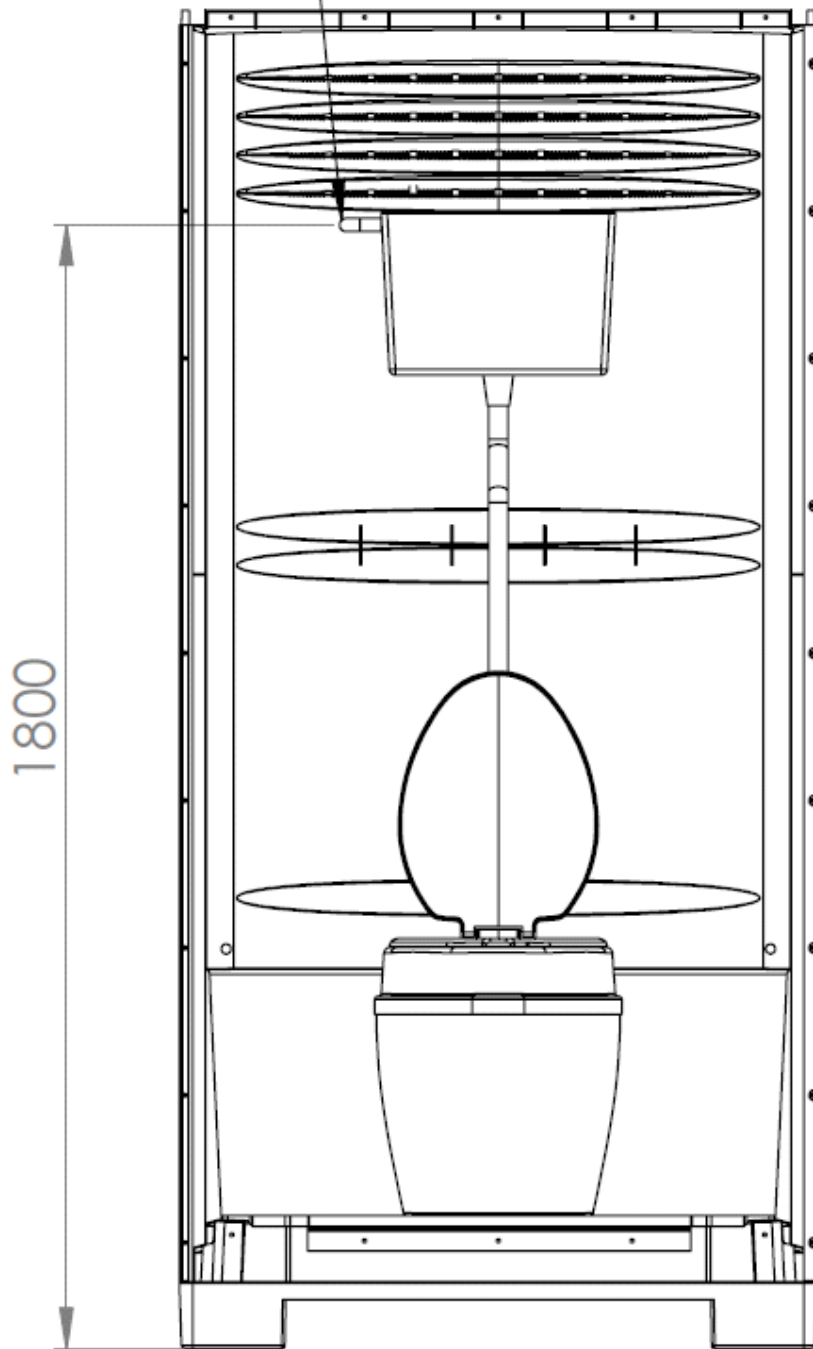


*Armal.*

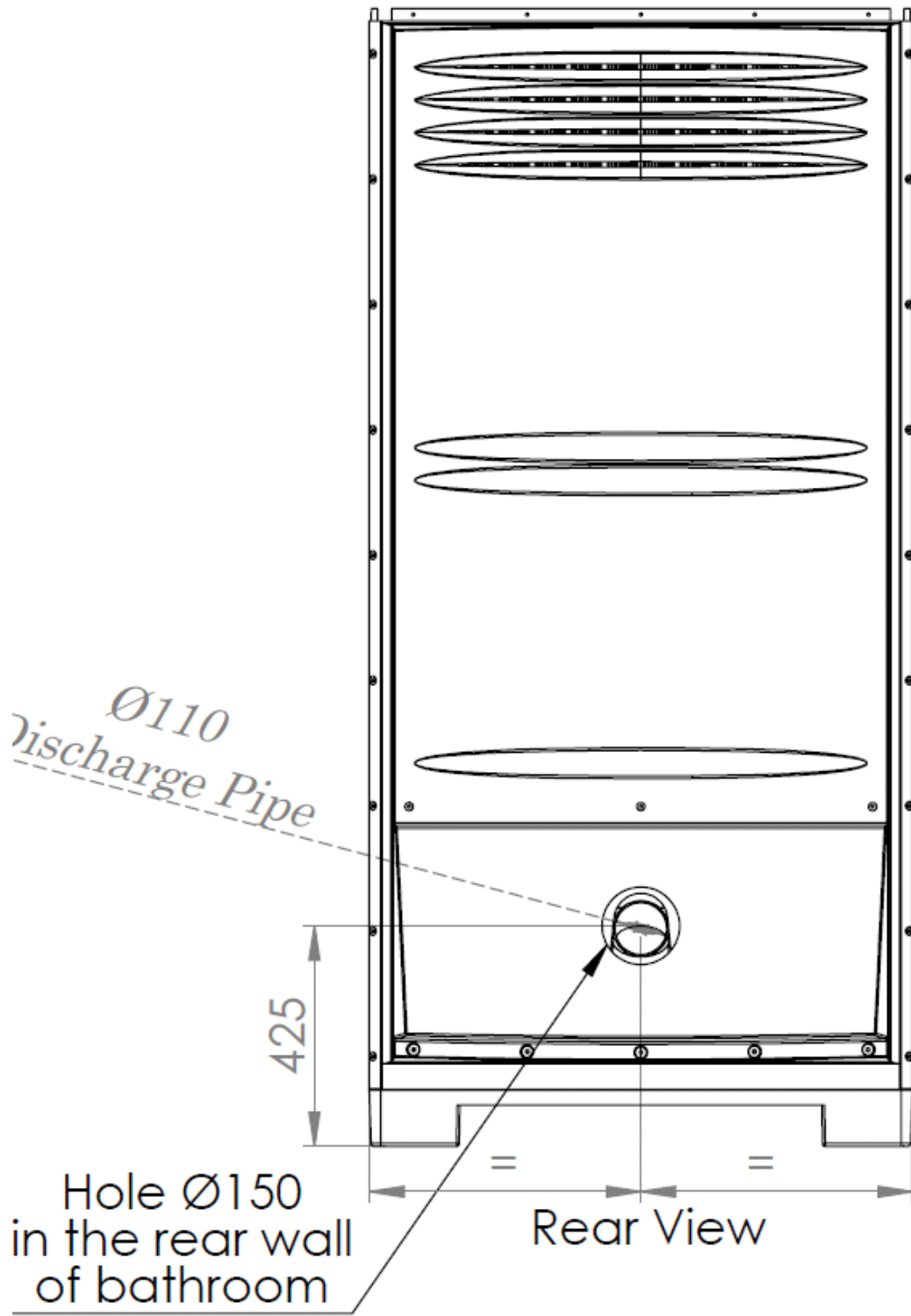
CUBE WESTERN MAINS TOILET

Water Load

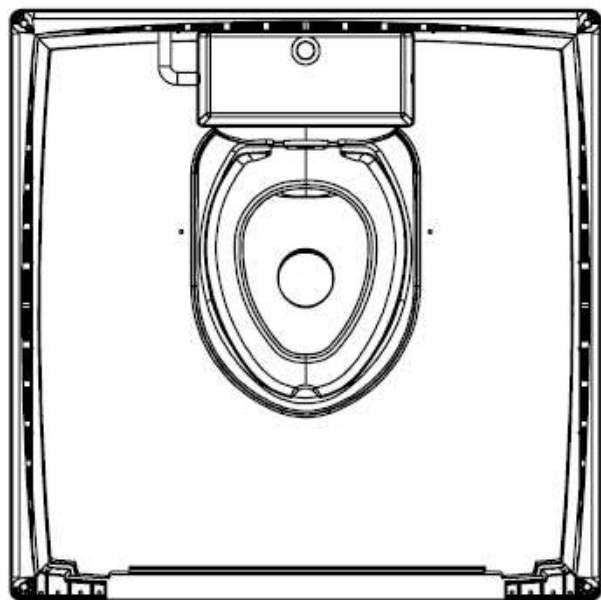


Front View

*Armal.*

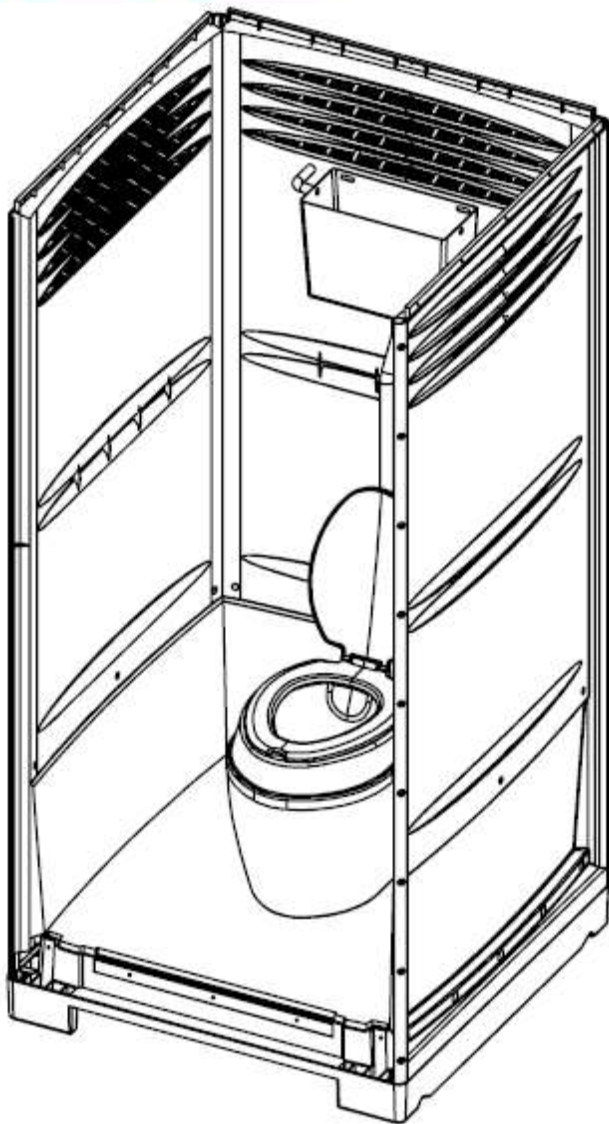


*Armal.*



Top View

*Armal*



Connection hoses are not provided with. Connection to the mains is at customer's care.

SCALE : 1 :50

TOLERANCE : +/- 0,5 mm

Rev. 0 dd 06/05/15

DISCLOSURE : data and information contained or obtainable by this design are the exclusive propriety of Armal. Any reproduction in whole or in part is prohibited, without the written permission of Armal