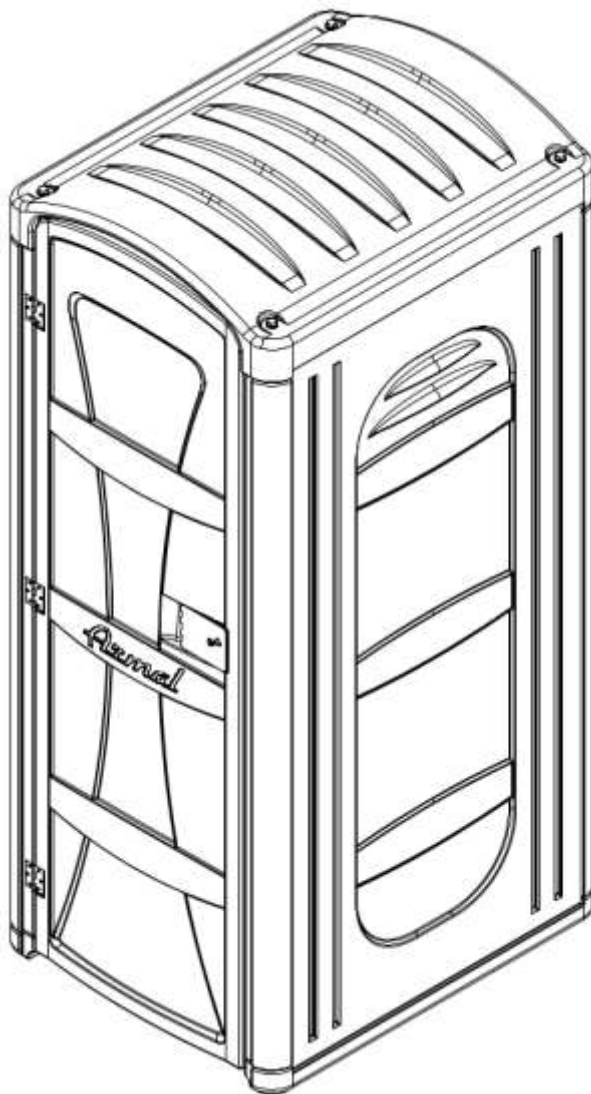


HANDY

Rev. 0 del 01/11/2017



Armal.

Introduction

Armal portable restrooms and accessories must be assembled according to Armal assembly procedures.

Avoid variations in assembly procedures, which could adversely affect product life and warranty.

Assembly procedures are referred to the assembly of single units.

If assembling multiple units, considerable efficiency can be gained by having a crew working in assembly line.

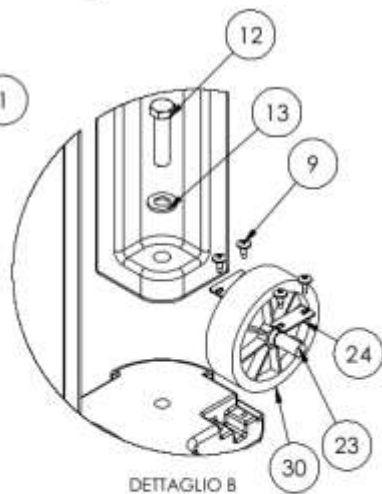
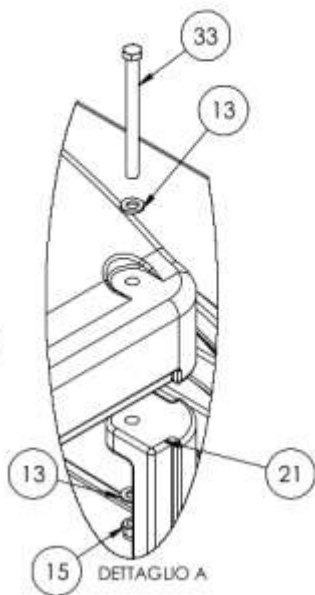
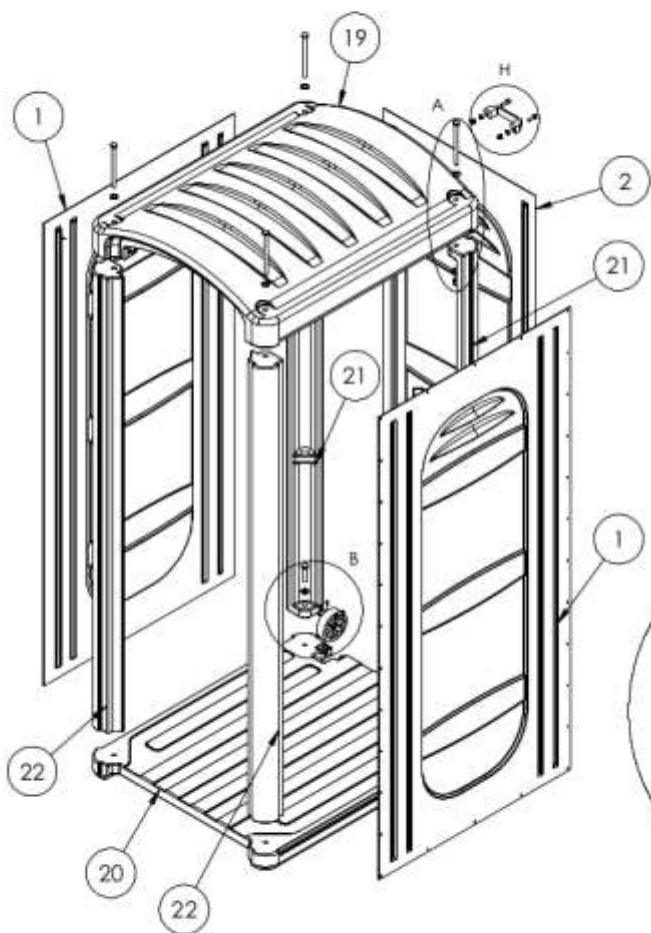
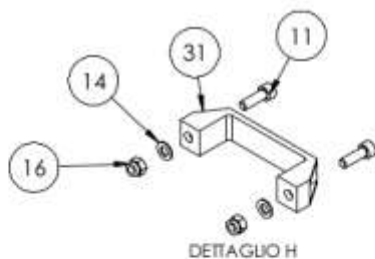
Don't open up all together your kit boxes and bags. Open up only enough kit boxes/bags to assemble the number of toilets you are currently working on.

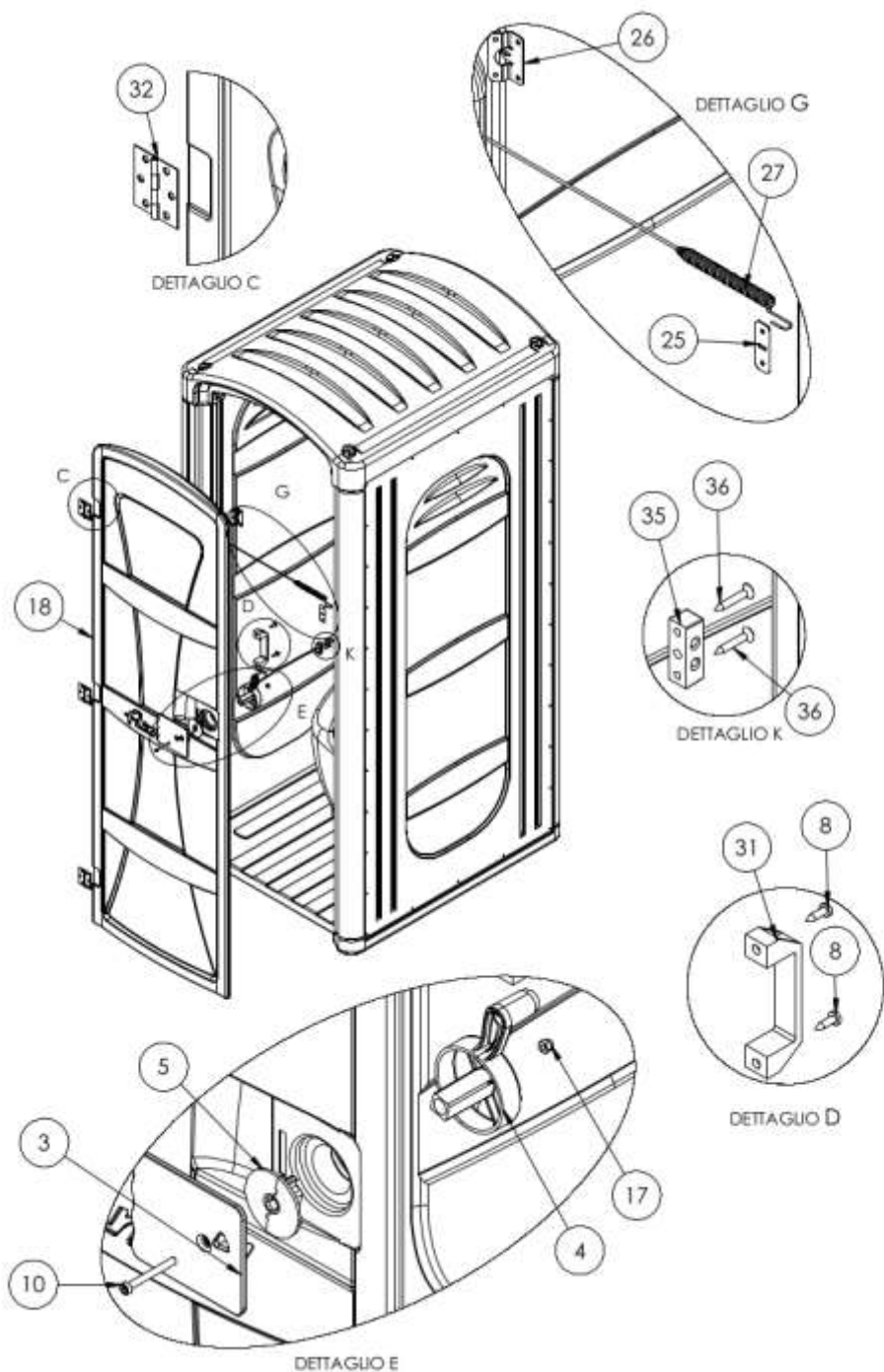
KEEP PARTS ORGANIZED TO OPTIMIZE THE WORKING TIME.

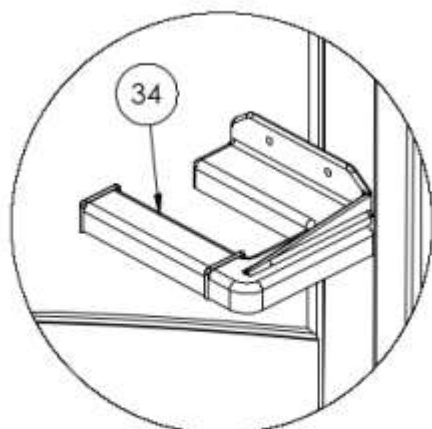
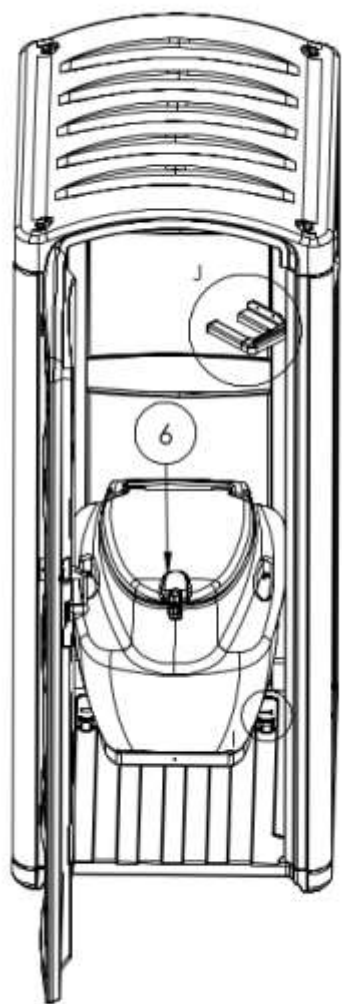
PART LIST

Nº.	PART CODE	DESCRIPTION	Qt.
1	IDP215...	LATERAL WALL FOR HANDY PORTABLE TOILET	2
2	IDP214...	BACK WALL PANEL FOR HANDY PORTABLE TOILET	1
3	IDP2021	NEW INDICATOR MOUNT FOR CUBE TOILET	1
4	IDP1261	DOOR LATCH FOR CUBE TOILET (RED COLOR)	1
5	IDP1071	RED/GREEN INDICATOR FOR CUBE TOILET	1
6	IDA1101	REMOVABLE TANK NEW	1
7	EVVI416	SCREWS IN INOX 4X16	4
8	EVR6322	SCREWS 6.3X22	2
9	EVR4213	SCREWS 4.2X13	8
10	EVF0655	SCREWS M6X55	3
11	EVE0825	SCREWS M8X25	2
12	EVA1250	SCREWS M	4
13	ERA1200	WASHER M.12	12
14	ERA0800	WASHER M.8	2
15	EPE1200	SELFBLOCKING NUT/ZINC.M.12	4
16	EPE0800	SELFBLOCKING NUT/ZINC.M.8	2
17	EPE0600	SELFBLOCKING NUT/ZINC.M.6	1
18	EDP0991	DOOR	1
19	EDP0981	ROOF	1
20	EDP0971	FLOOR	1
21	EDP0961	REAR CORNER	2
22	EDP0951	FRONT CORNER	2
23	EDM5231	WHEELS AXES	2
24	EDM5221	PLATE BLOCKING WHEELS	4
25	EDM5211	BRACKET FOR THE SPRING	1
26	EDM5201	SUPPORT FOR THE DOOR SPRING	1
27	EDM5191	CABLE WITH SPRINGS	1
28	EDM2351	RIVETS 5X25 KIT (115 PIECES)	1
29	ECP0202	FIXING SCREW FOR WASTE-HOLDING TANK	2
30	ECP0201	WHEELS Ø100 - RUINCAR 15A-02	2
31	ECP0180	PLASTIC HANDLE THENAR	2
32	ECM0187	HINGE 50X60	3
33	EVA12150	SCREW M12X150	4
34	EDP1031	PAPER-HOLDER	1
35	ECP0203	BLOCKING SUPPORT FOR DOOR LATCH	1
36	EVV0425	SCREW 4X25	2

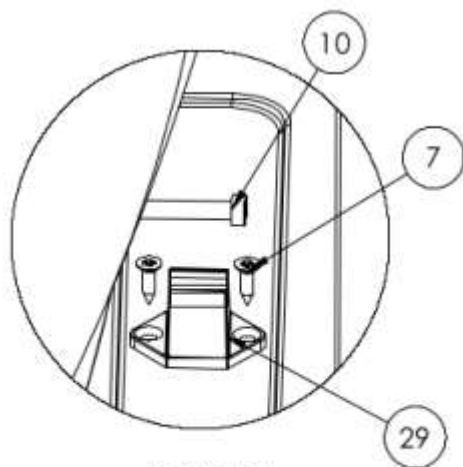
EXPLODED UNIT ASSEMBLY DRAWING







DETTAGLIO J



DETTAGLIO I

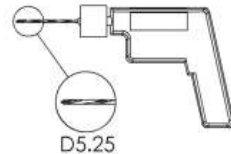
ASSEMBLY INSTRUCTIONS



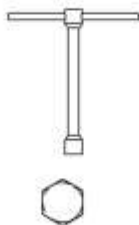
Required Tools



Rivet Gun



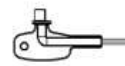
Drill (tip 5.25 + tip 8)



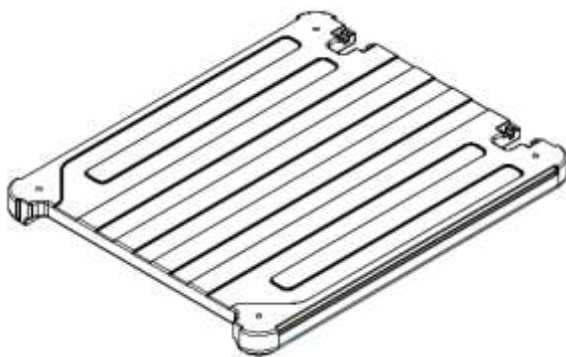
Wrench (N° 10 / 13 / 19)



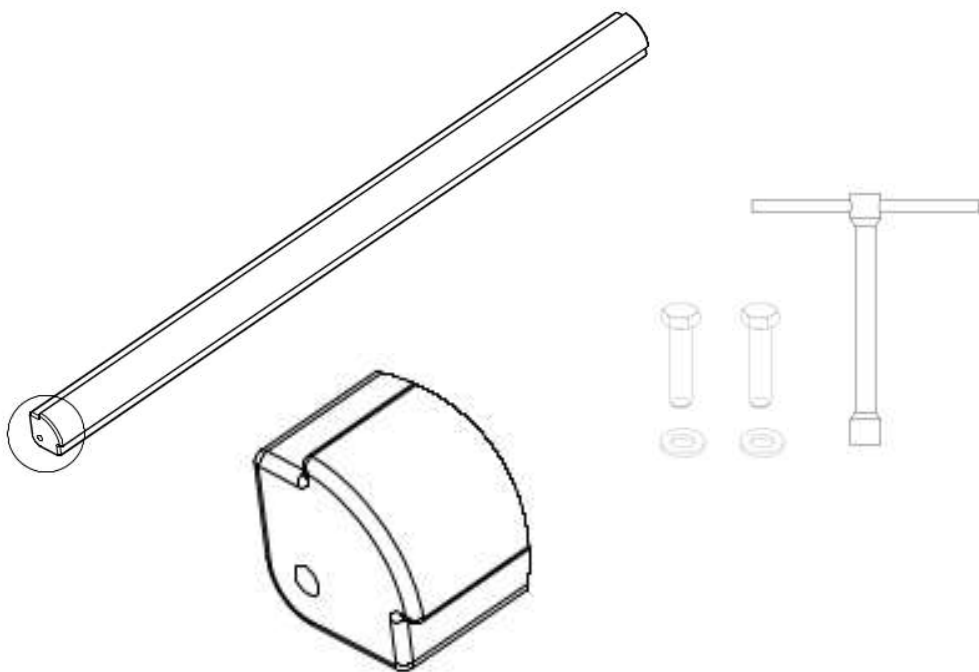
Star screwdriver



Armal key
Armal Key

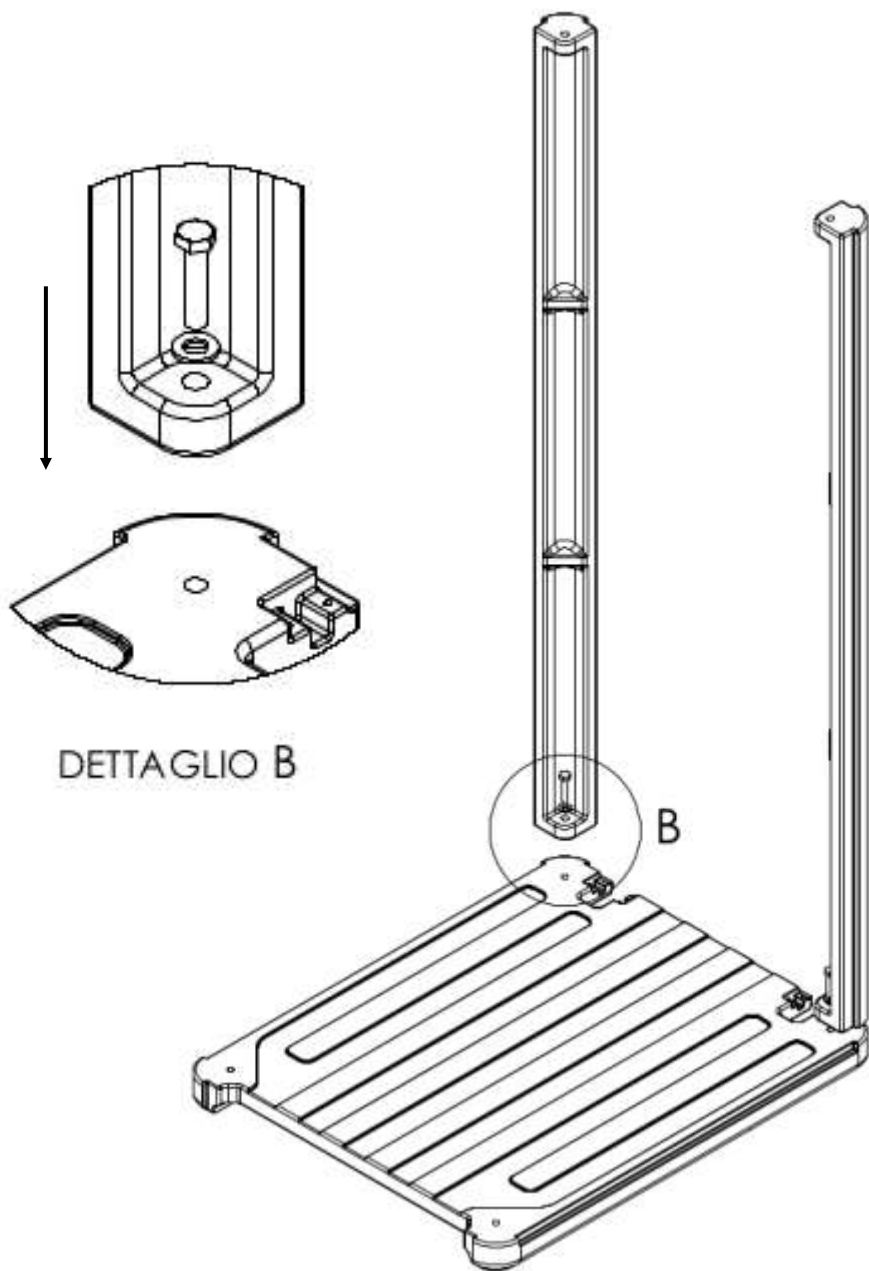


Prepare the wooden base



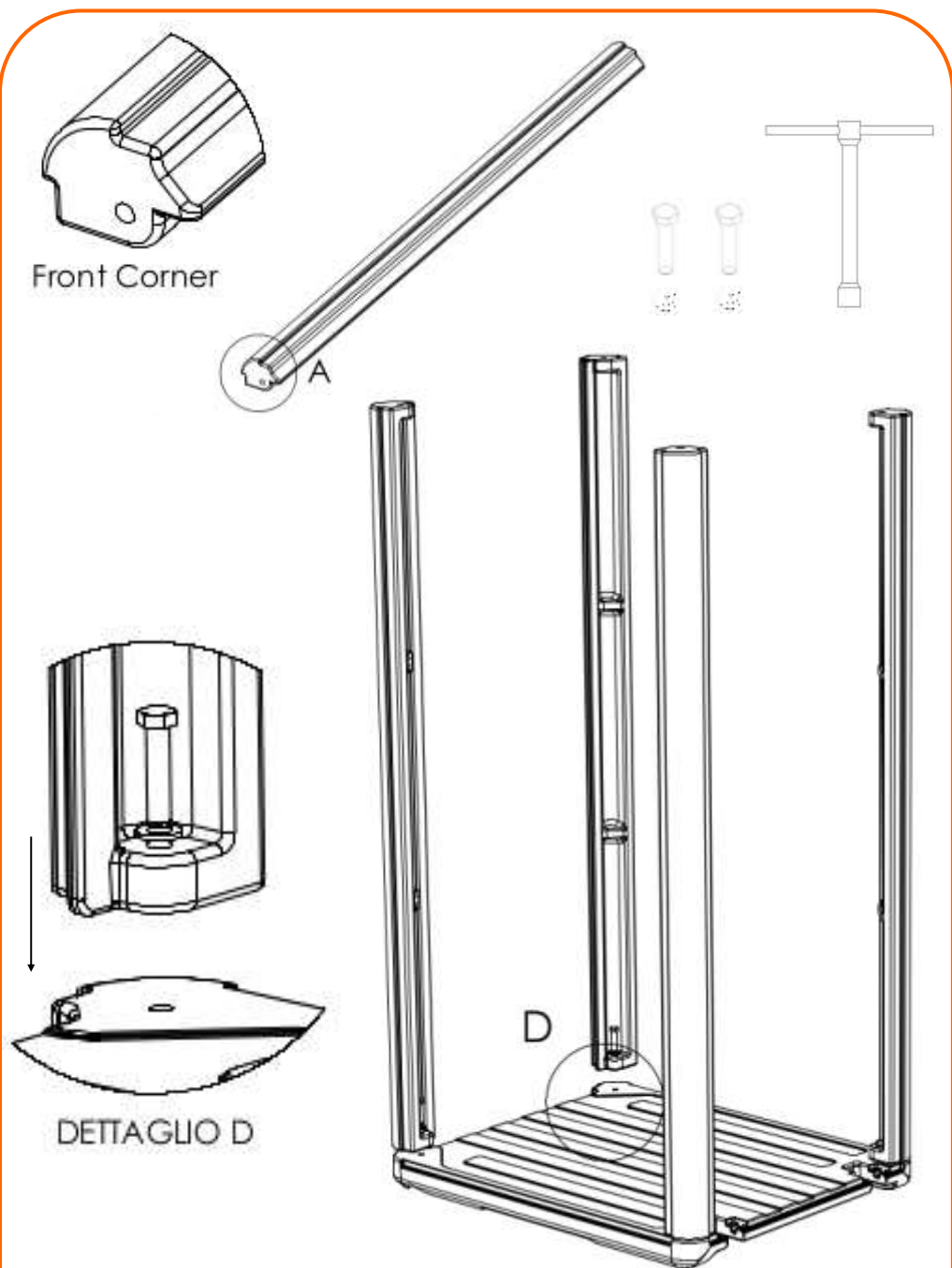
Rear Corner

Prepare the two rear corners, the screws M12x50 and the rings
(Kit 1)

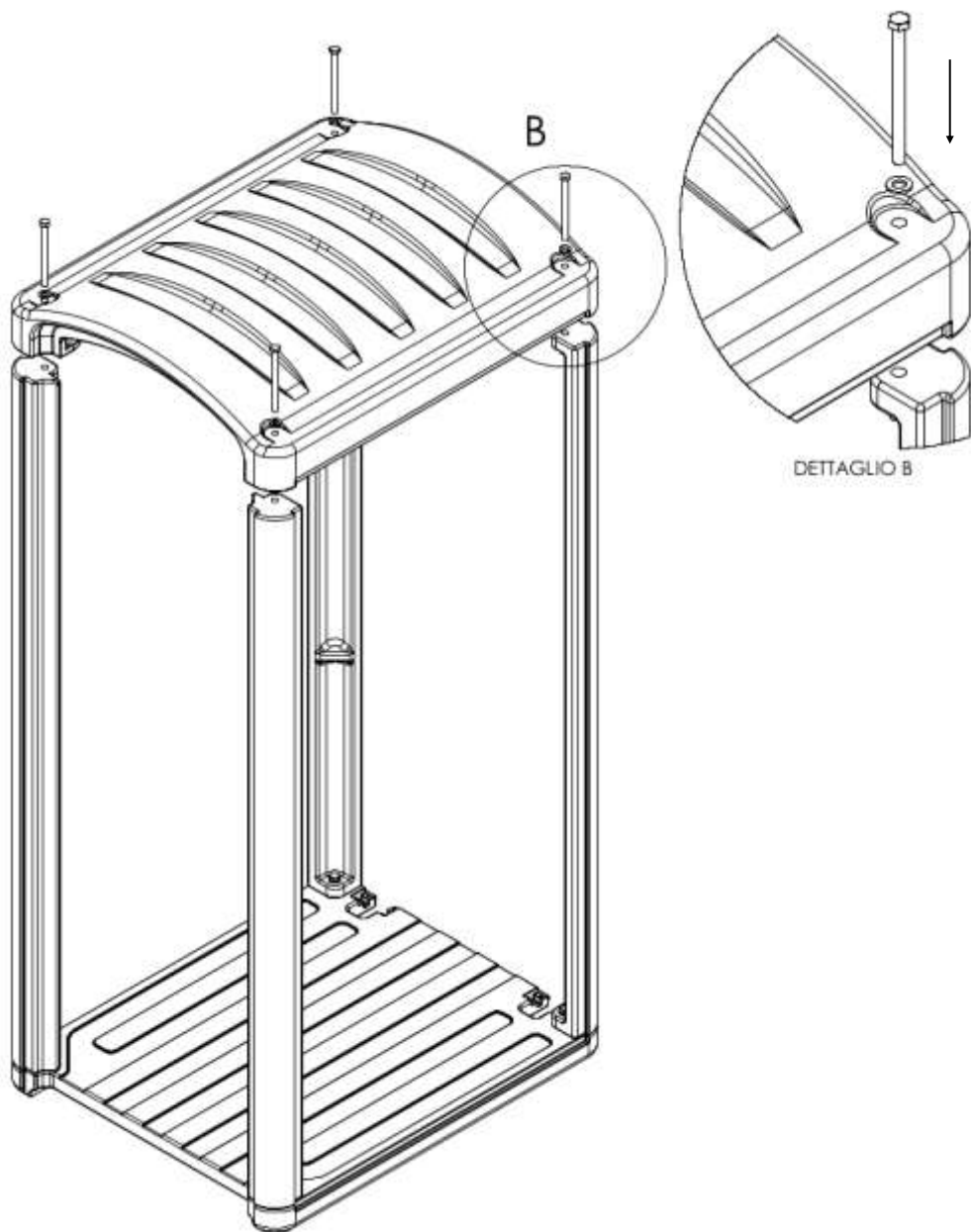


DETTAGLIO B

Fix the two rear corners onto the base



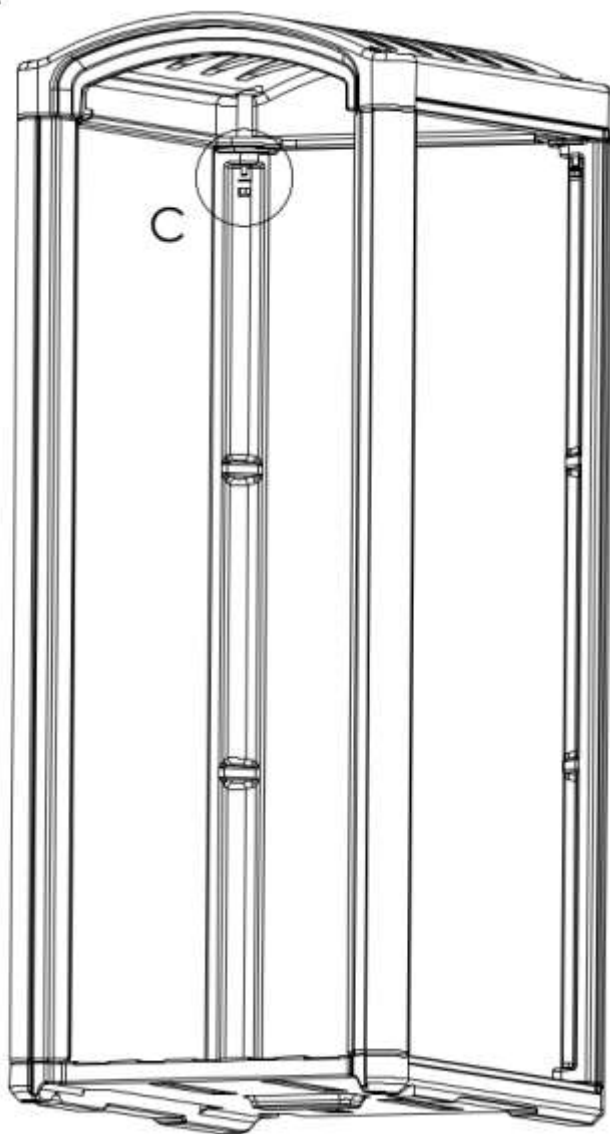
Fix the two front corners onto base through the screws M12x50 and the rings (**Kit 1**)



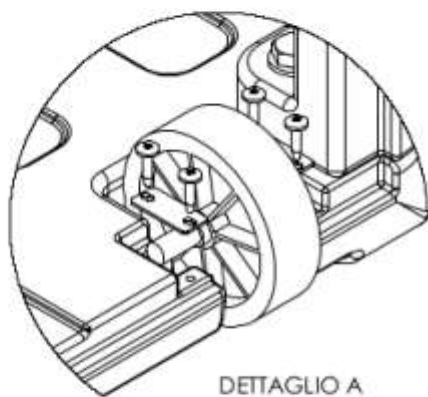
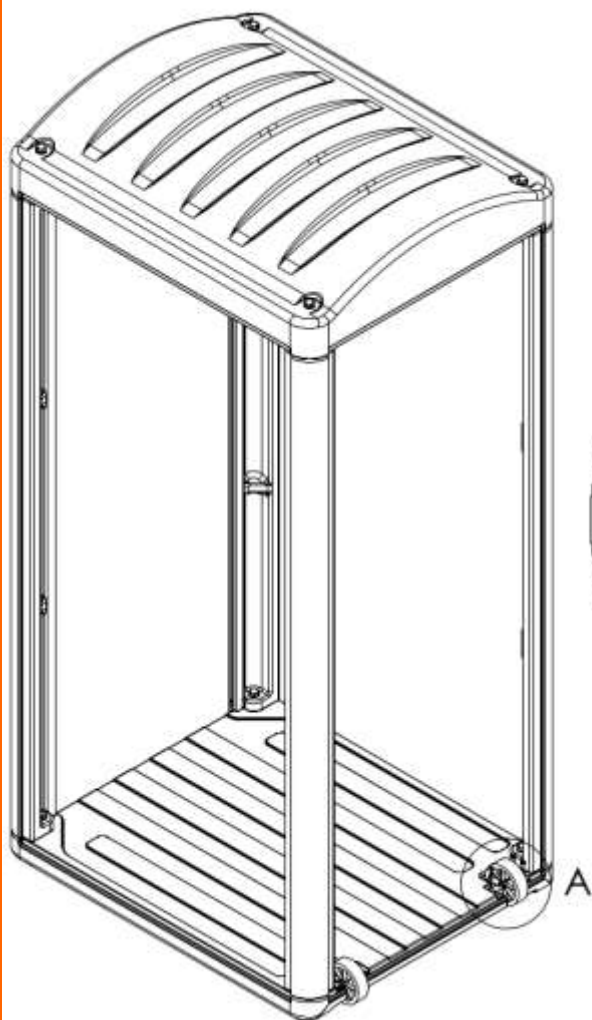
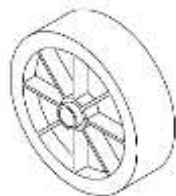
Get the assembly of the shell completed by fixing the roof top to the corners through the screws M12x50 and the rings (**Kit 2**)



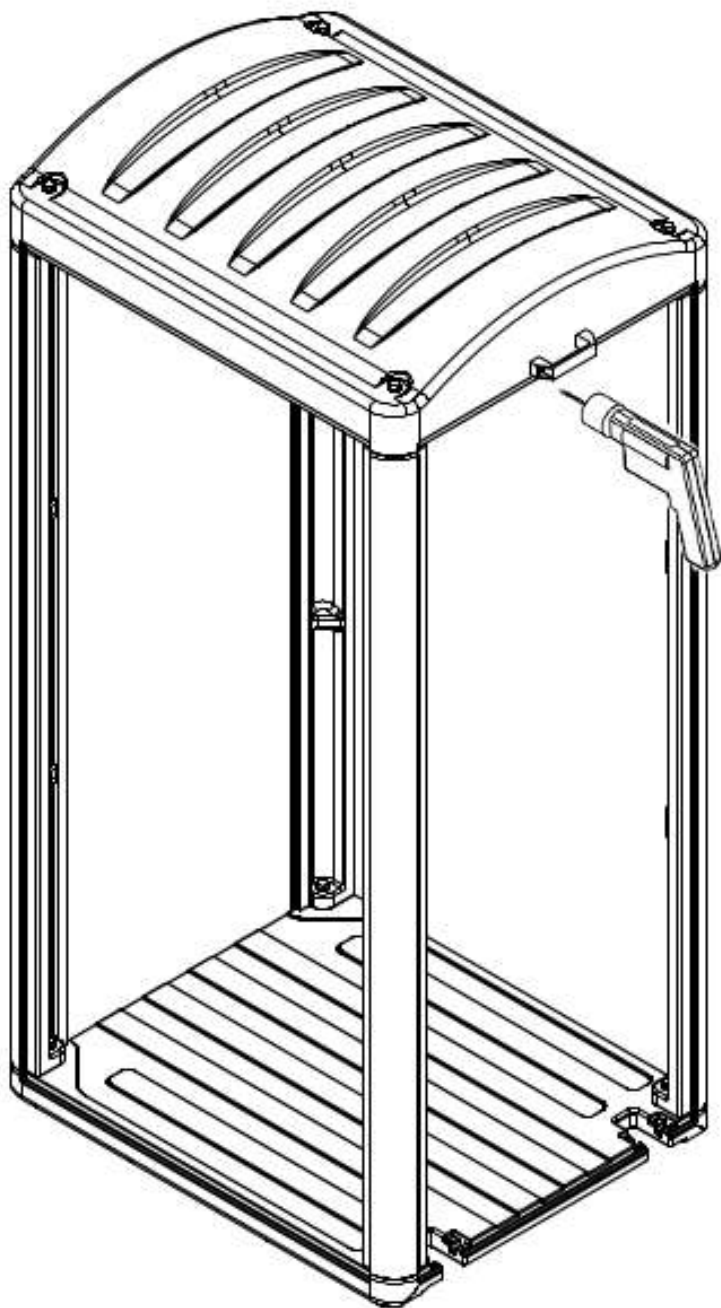
DETTAGLIO C



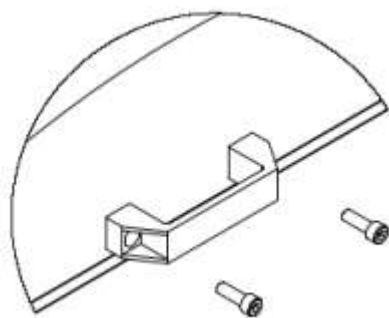
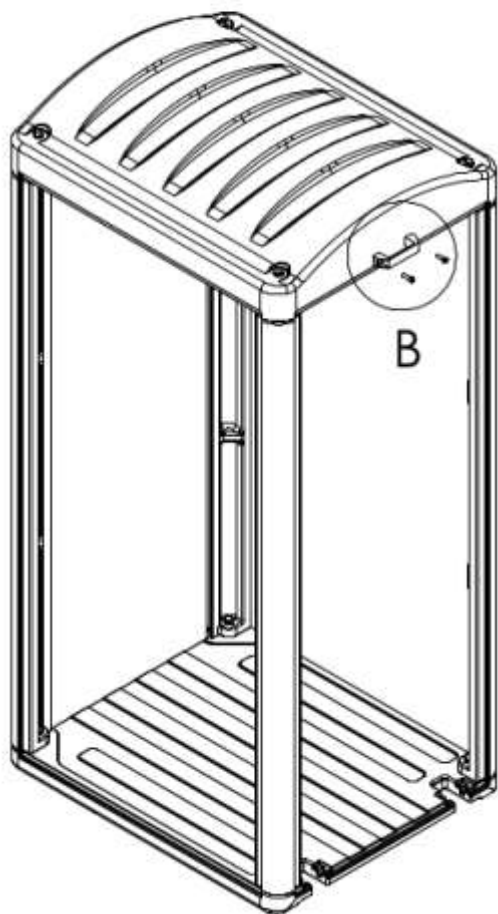
Get the assembly of the roof top completed through the self-locking nut + the ring



Insert the pin inside the wheels and fix them into the rear side of the base through the stirrups and the screws 4,2x13 (**Kit 3**)

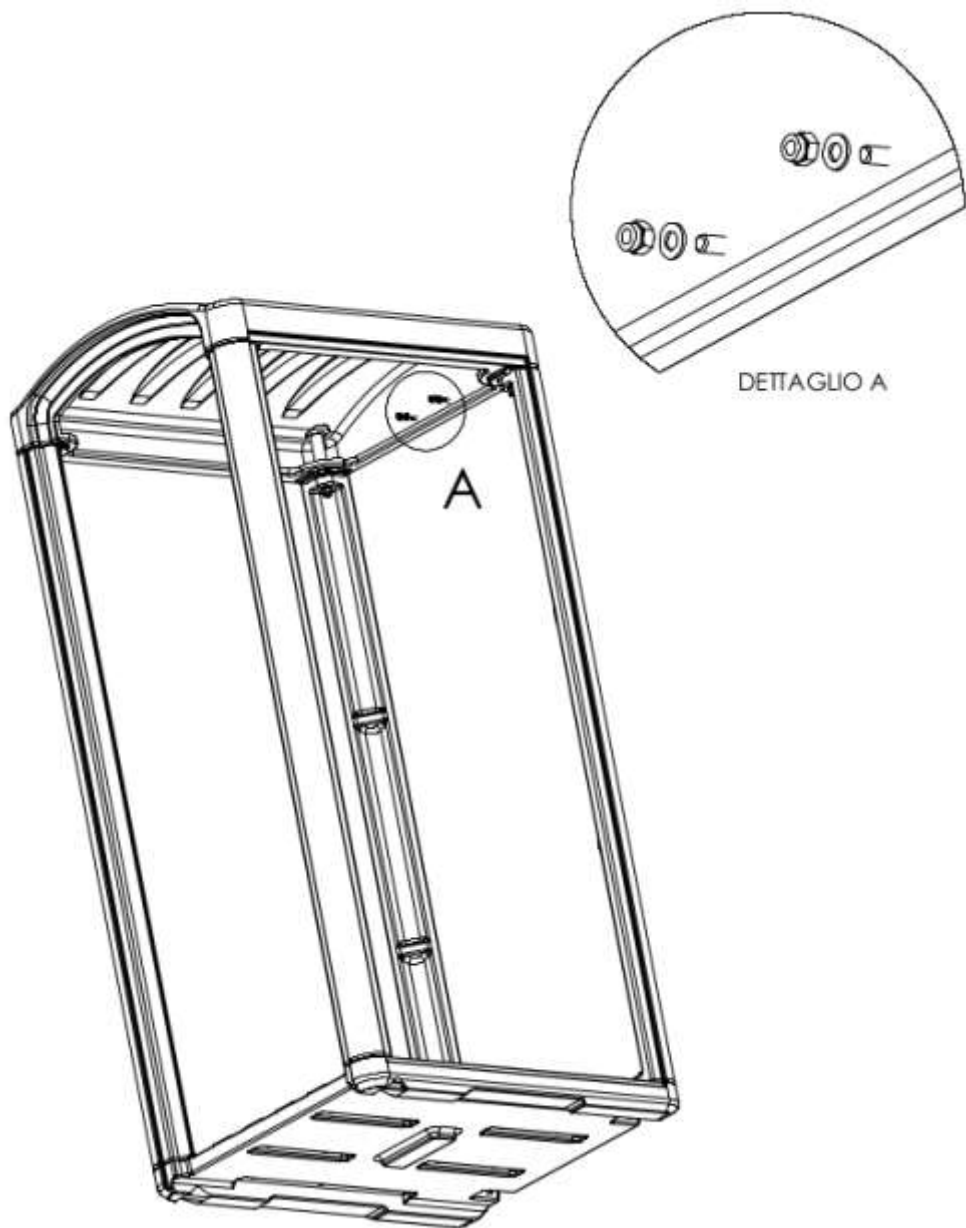


Insert the handle into the roof top and drill it by using a $\text{Ø}8$ bit
(Kit 4)

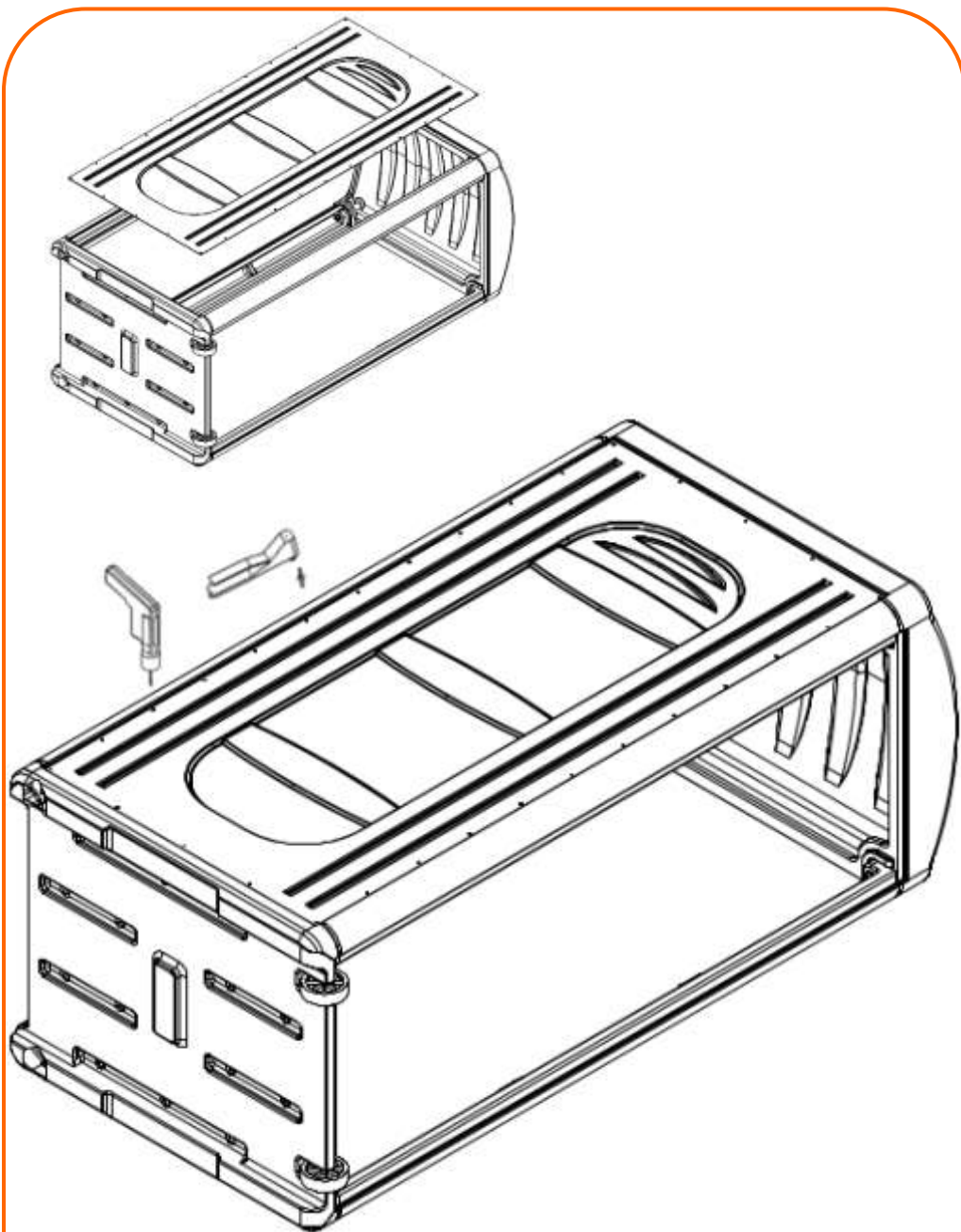


DETTAGLIO B

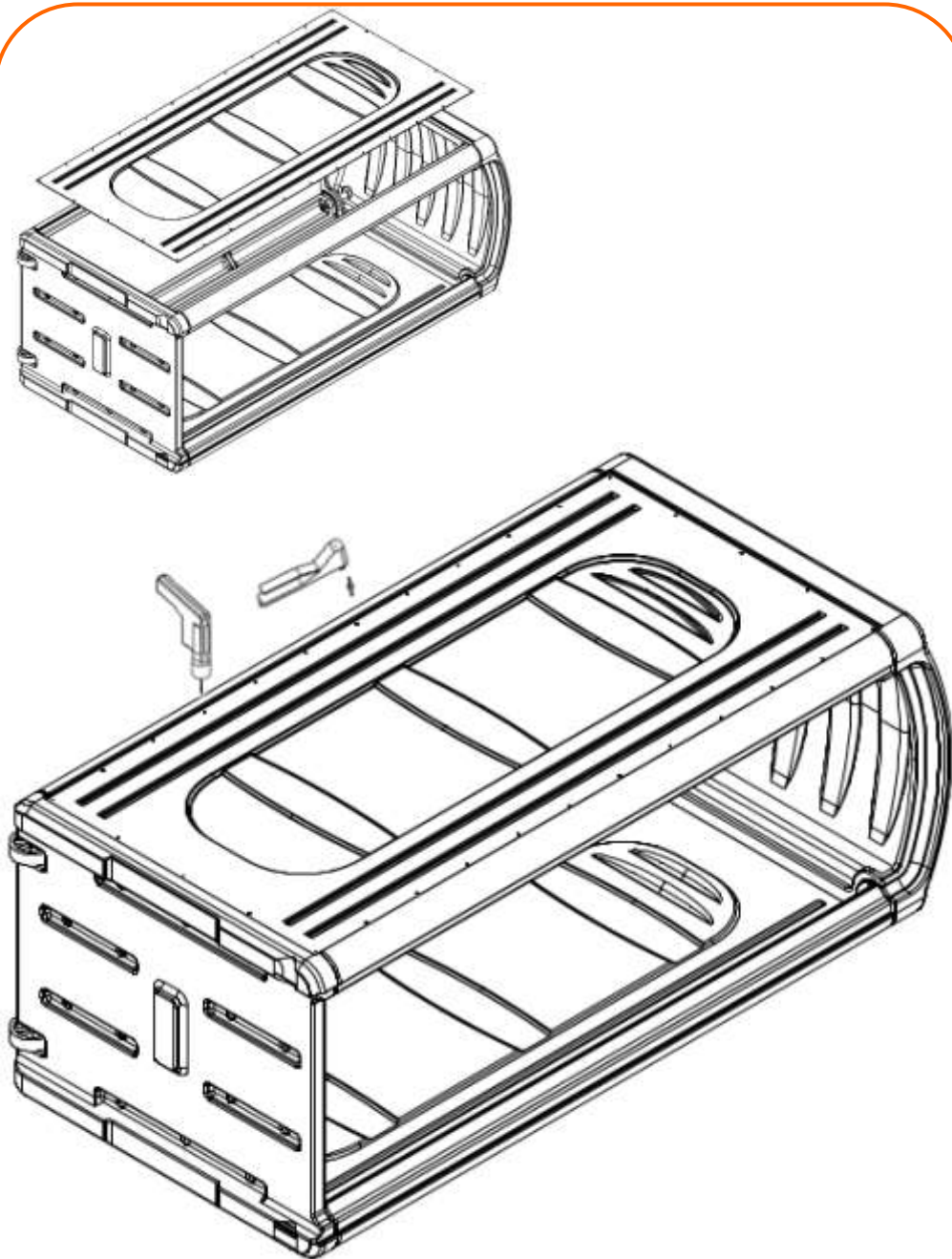
Insert the screws M8x25



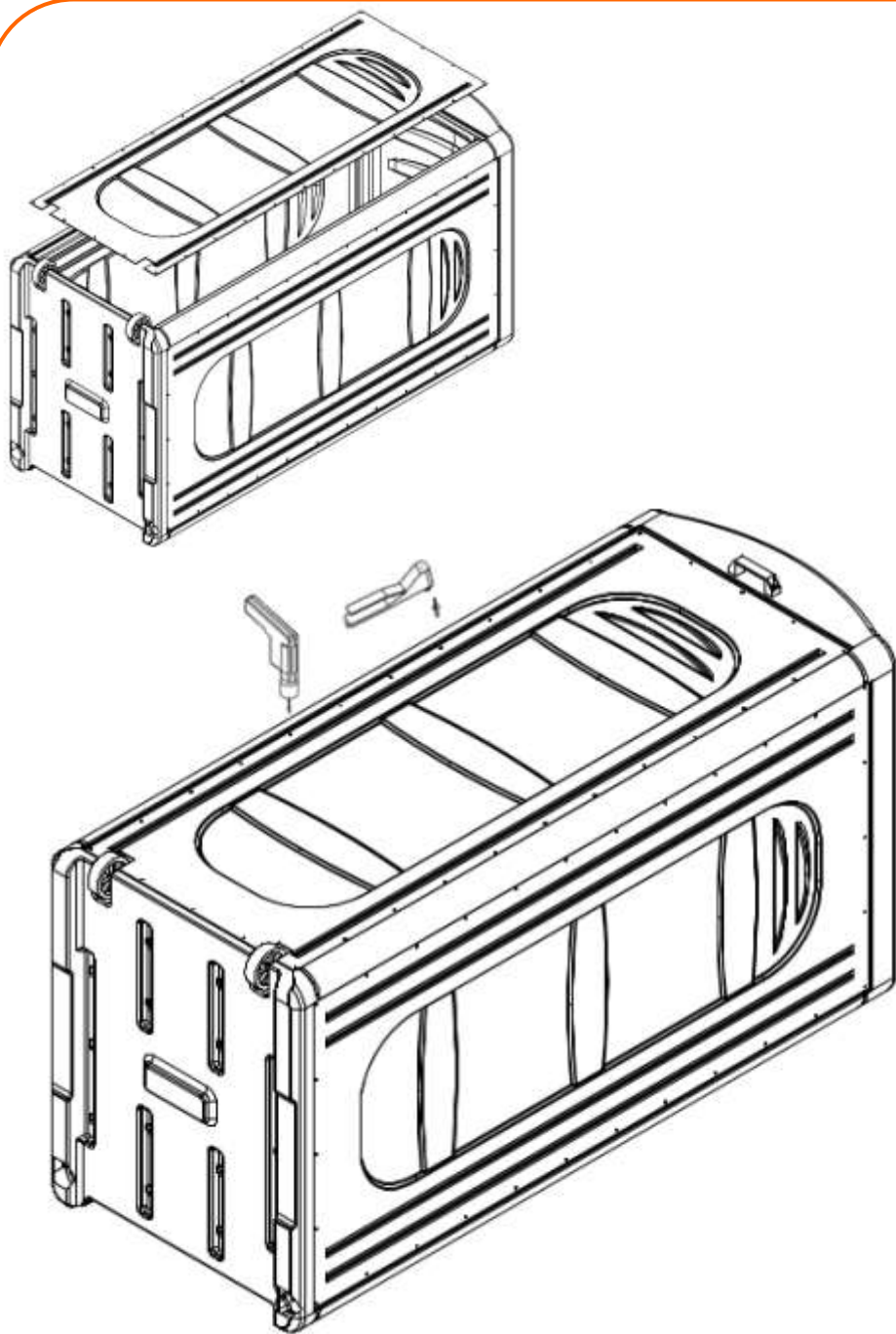
Get the assembly of the handle completed by using the self-locking nut + ring from the inside.



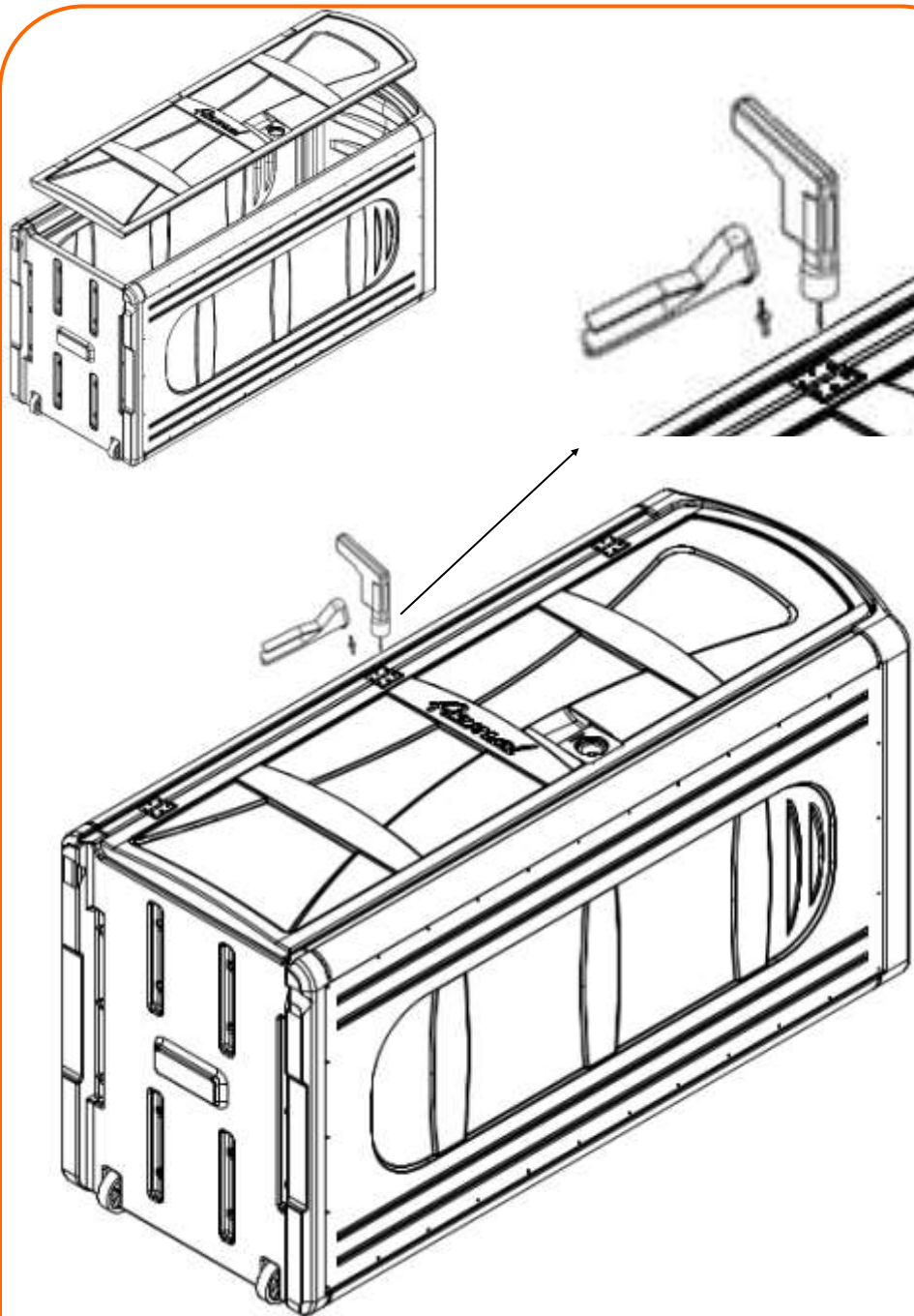
Position the toilet like that it is showed and assemble the side wall panel for first. Drill and rivet the wall panel.



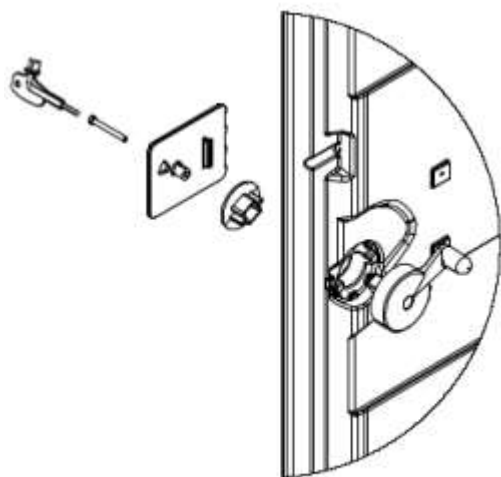
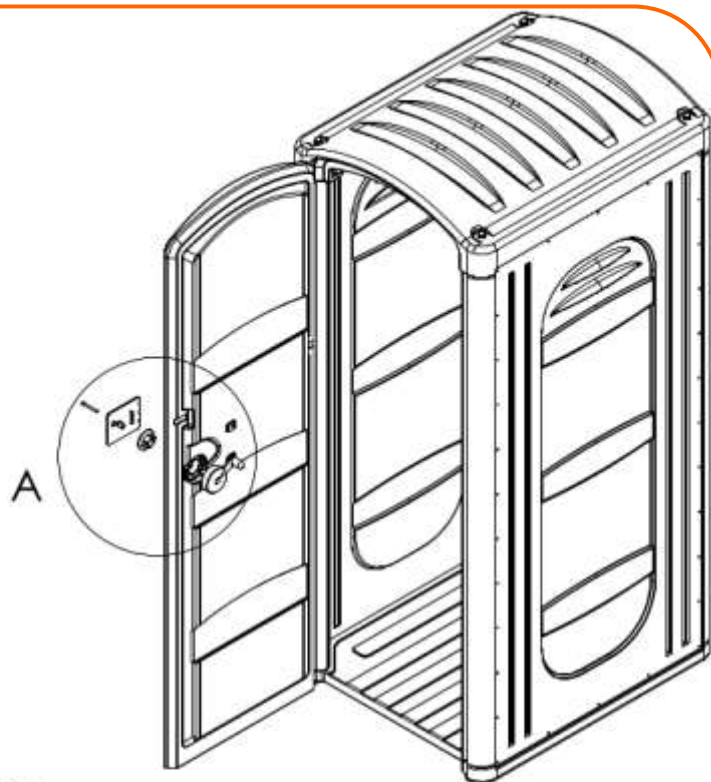
Position the toilet like that is showed and assemble the second side wall panel. Drill and rivet the wall panel.



Position the toilet like it is showed and assemble the rear wall panel.
Drill and rivet the wall panel.

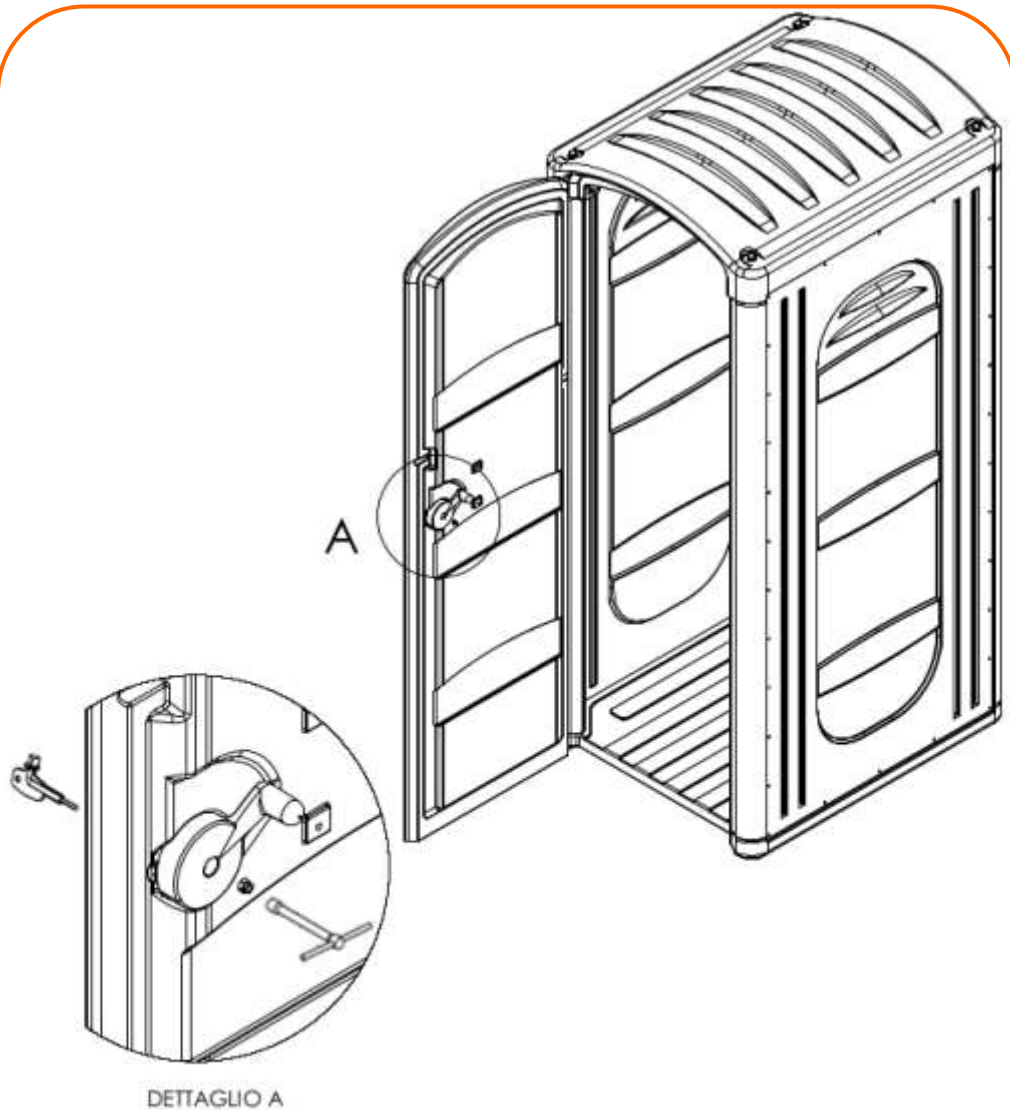


Position the toilet like it is showed and assemble the door panel.
Assemble the 3 hinges, drill and rivet. **(Kit 5)**

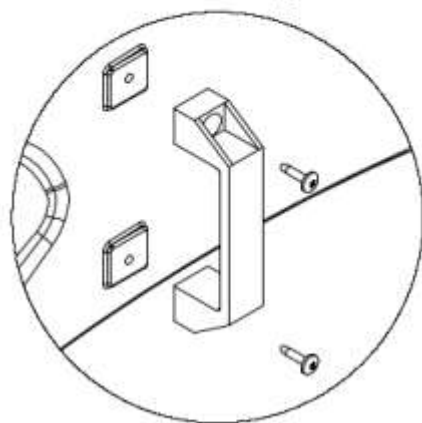
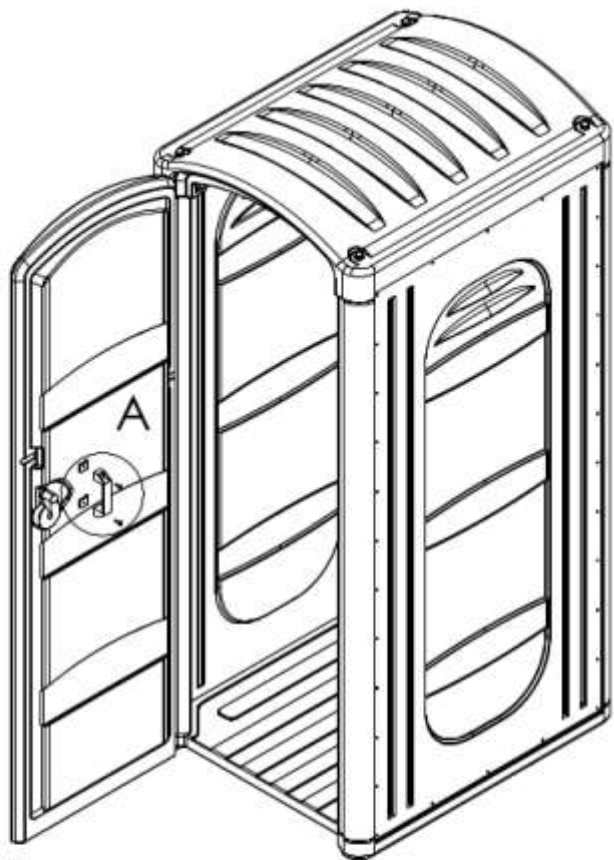


DETTAGLIO A

Assemble the door lock components. Insert the door handle from the inside and assemble the free/vacant indicator and handle still from the inside of the toilet. Insert the screw M6x55 and screw it by using the specific Armal Allen key (**Kit 6**)

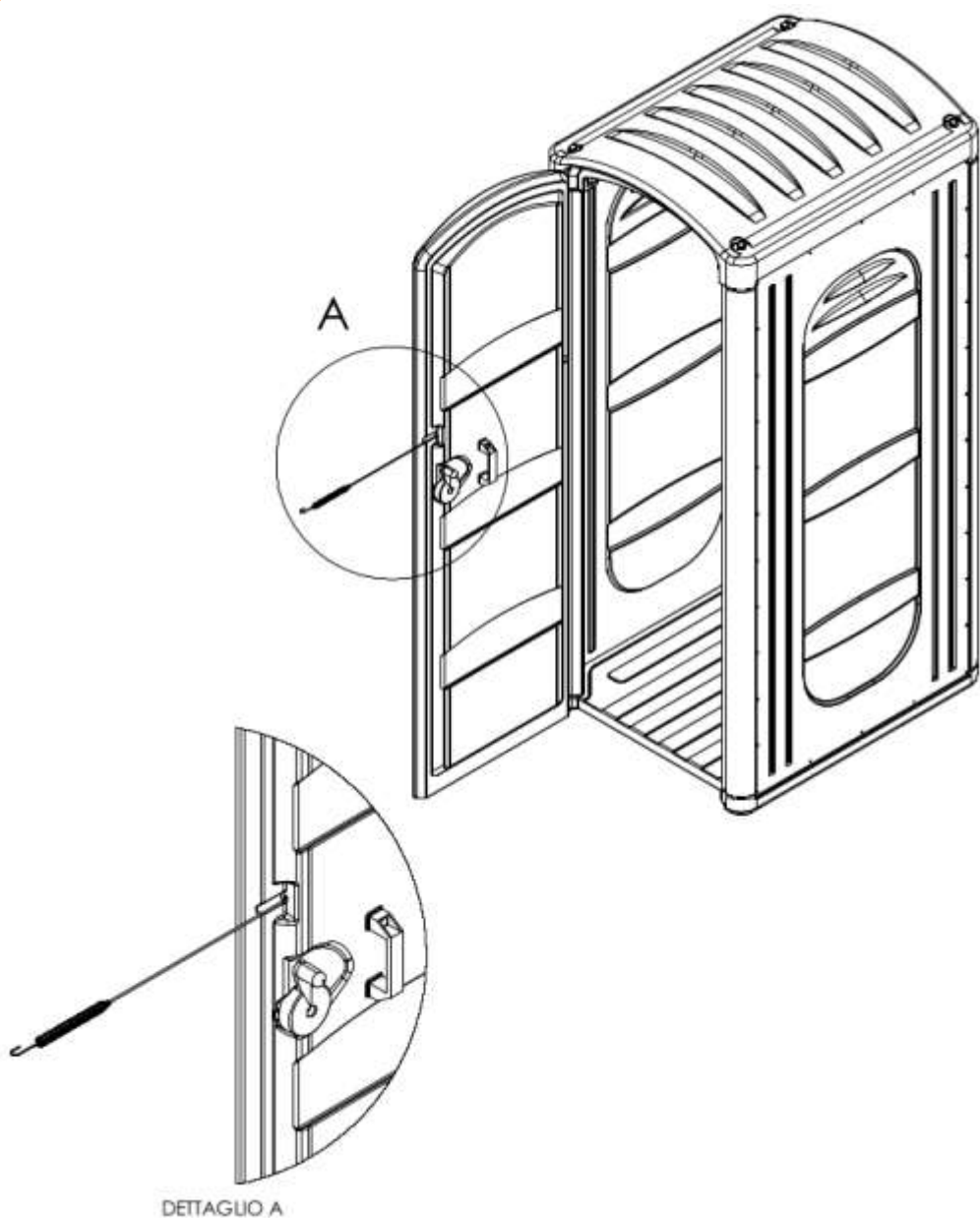


Get the assembly completed by using the self-locking nut from the inside. While screwing the nut, keep the screw stopped from the outside by using the Armal Allen key.

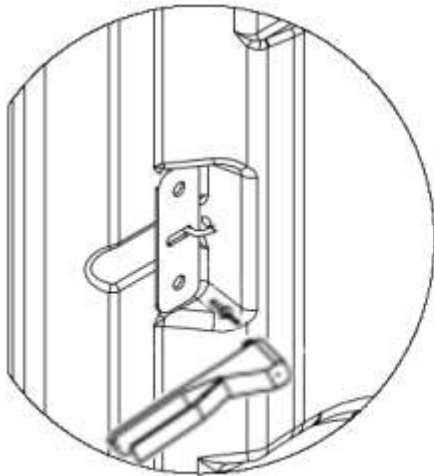
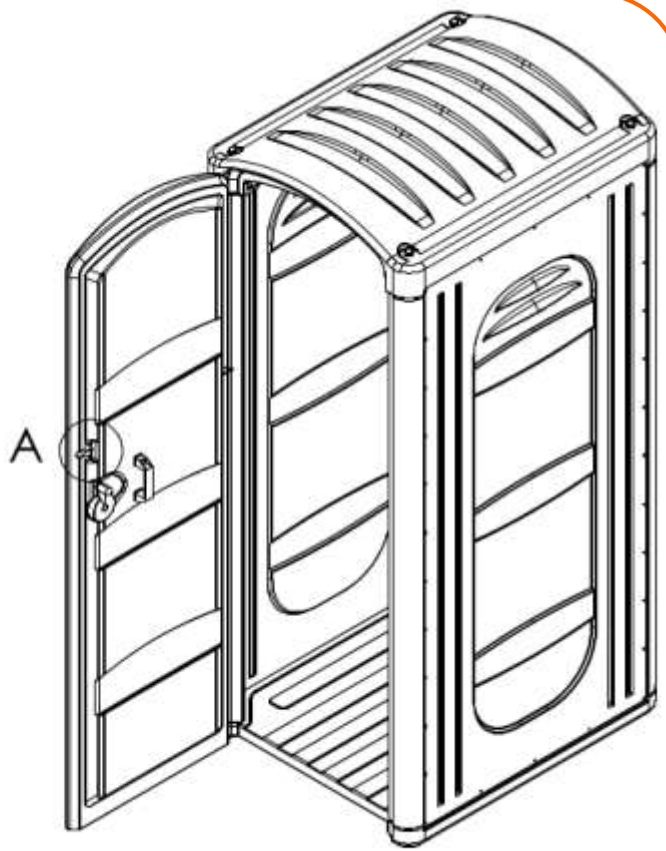


DETTAGLIO A

Assemble the handle inside the door through the screw 6,3x22
(Kit 7)

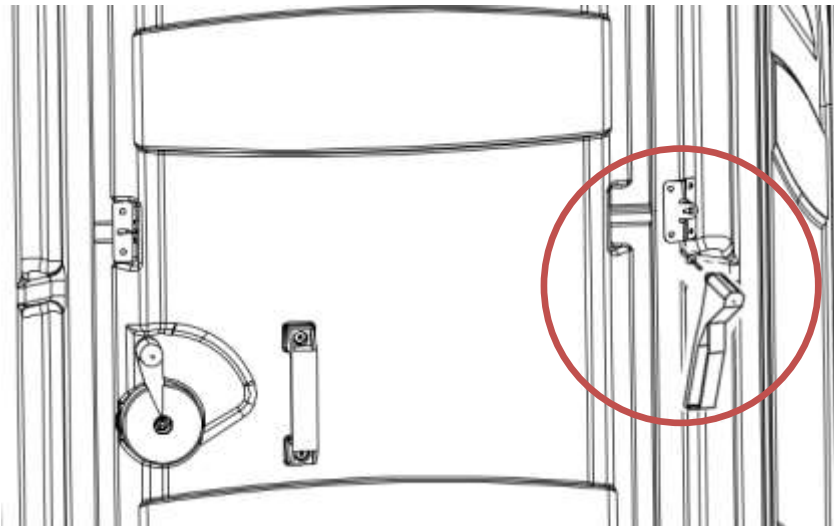
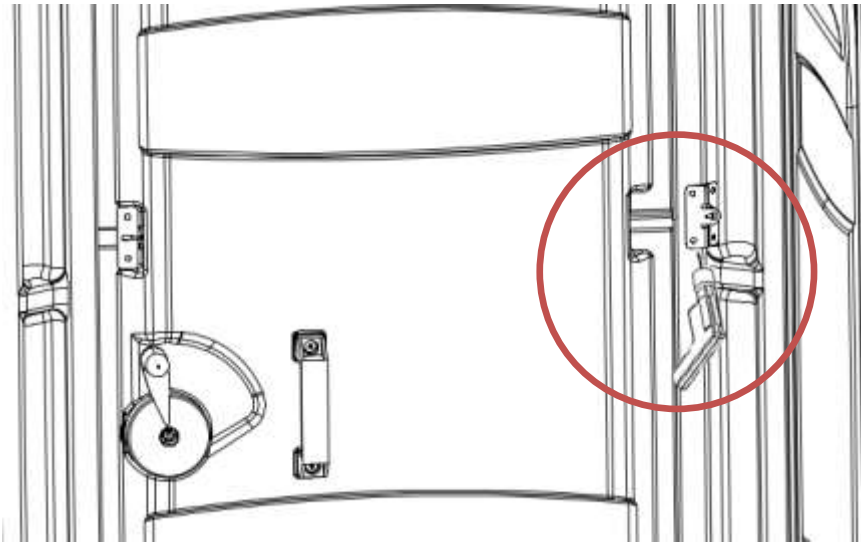


Insert the string with spring inside the door **(Kit 8)**

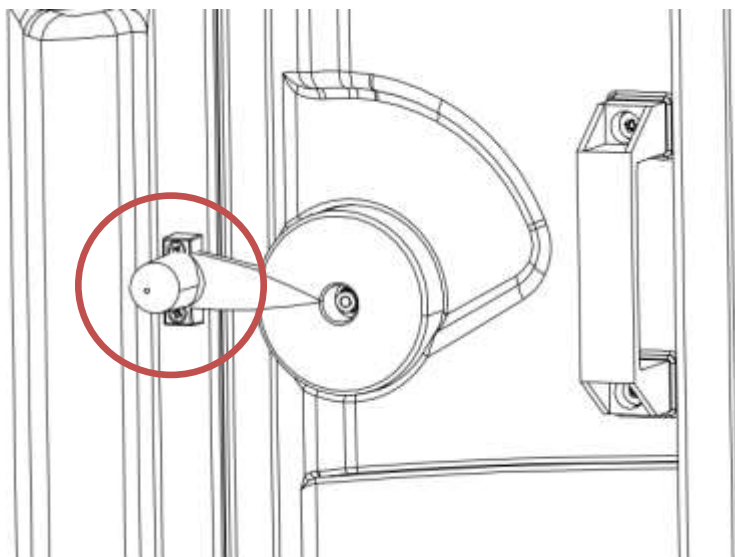
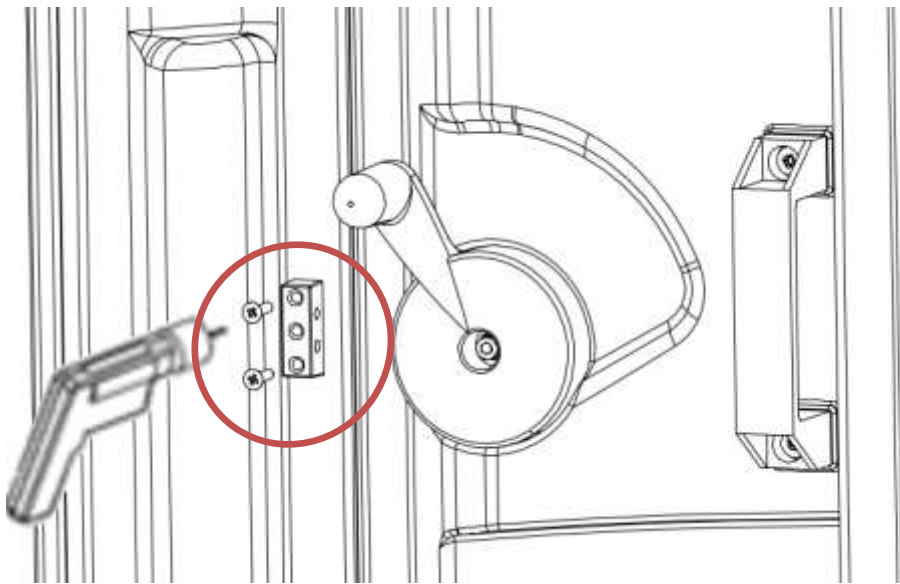


DETTAGLIO A

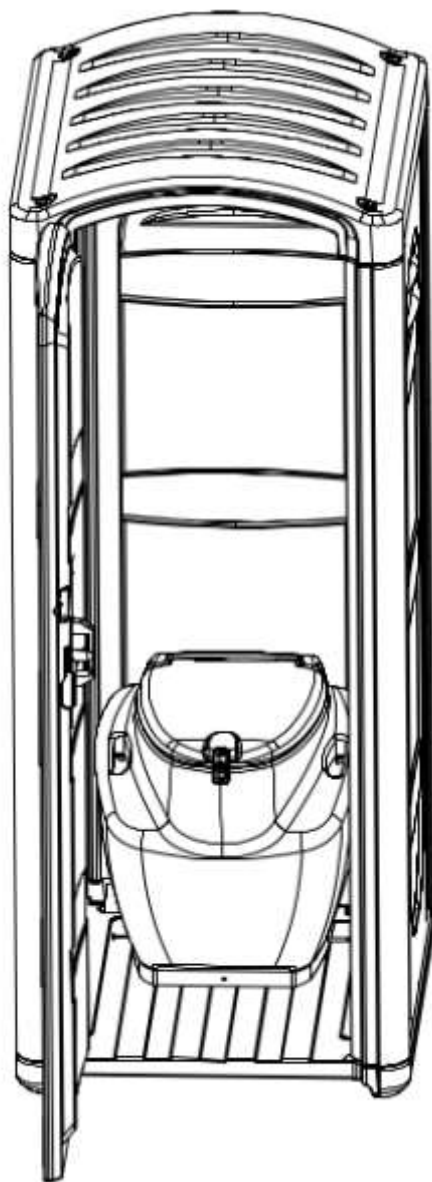
Hook the string and fix the stirrup to the door.



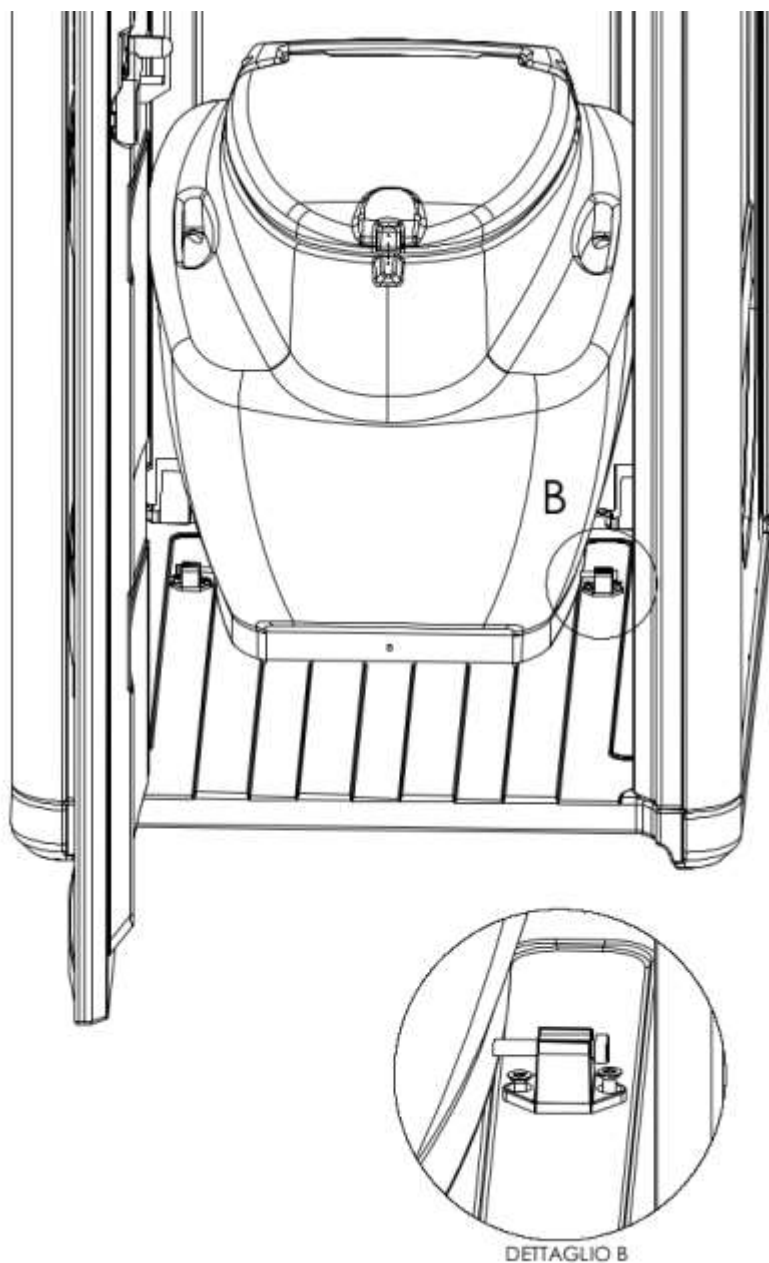
Close the door and fix the stirrup to the right front corner.
Hook the string



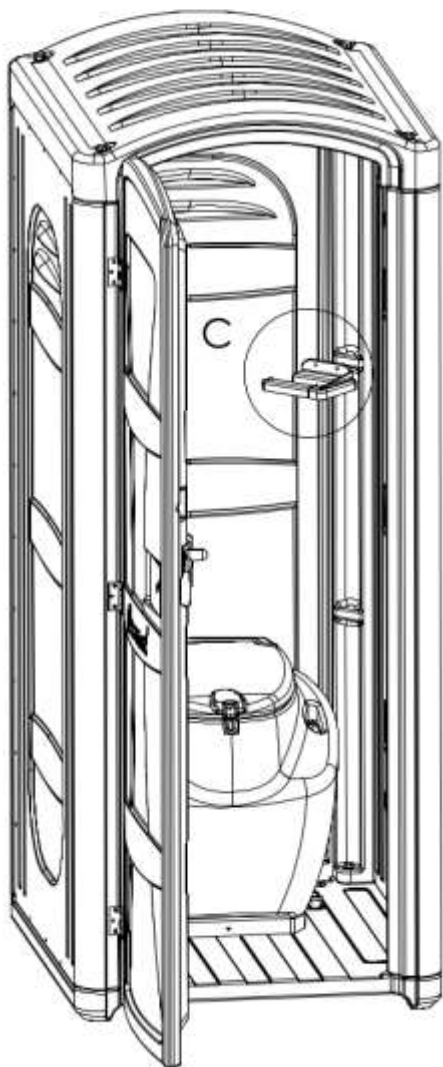
Fix the spacer for the door lock through the screws M4x20



Fix the 2 screws M6x55 down the waste holding tank. **(Kit 9)**

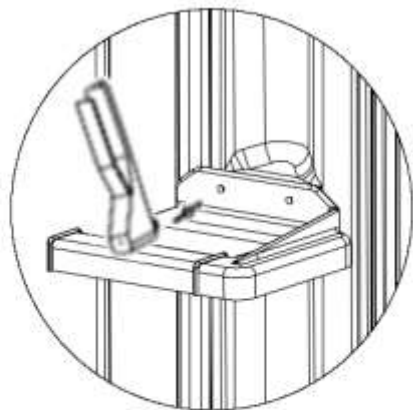
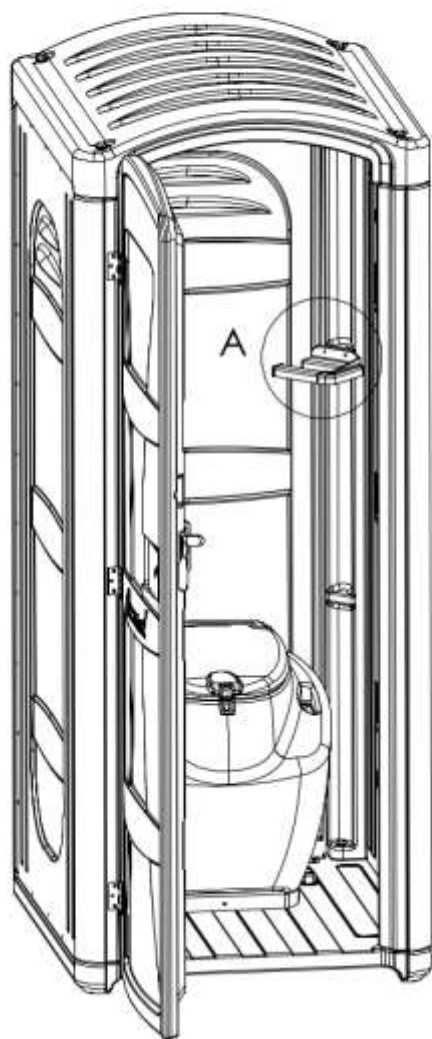


Position the waste holding tank inside the toilet and fix the two hooks to the base.
Test the anchoring/unhooking phase of the waste holding tank .



DETTAGLIO C

Position the paper-holder like it is showed and drill
by using the 5.25 bit



DETTAGLIO A

Fix the paper-holder by using the rivets

Demag®