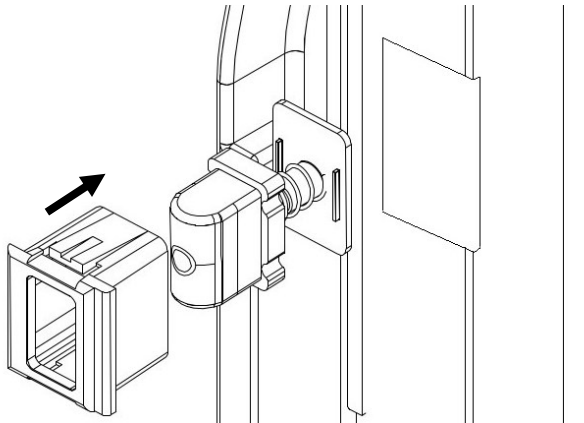
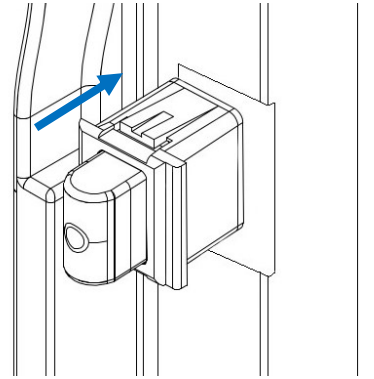


ADJUSTABLE NOISE DEFLECTOR

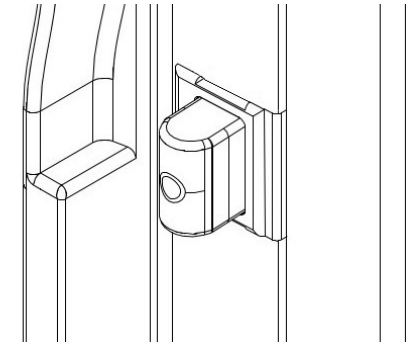
Installation



STEP 1

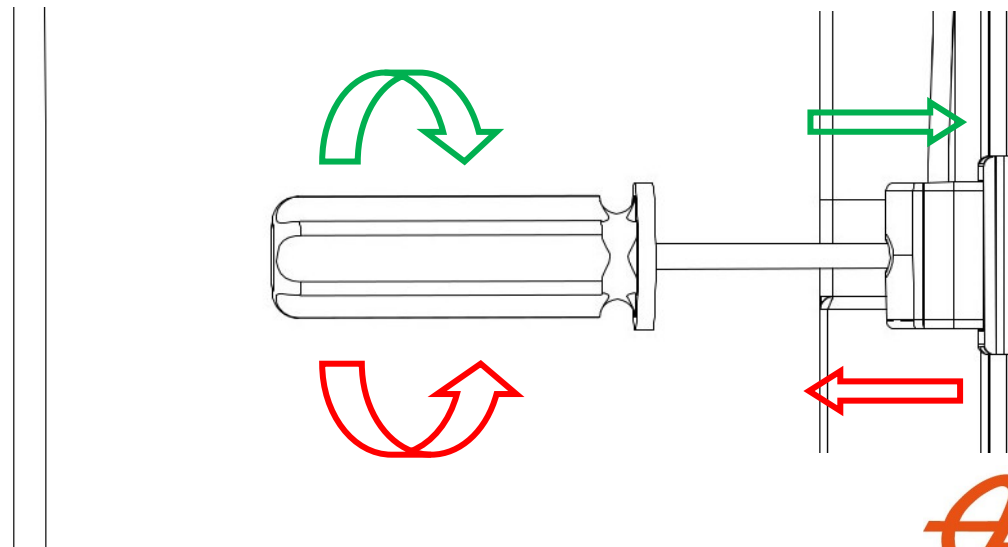
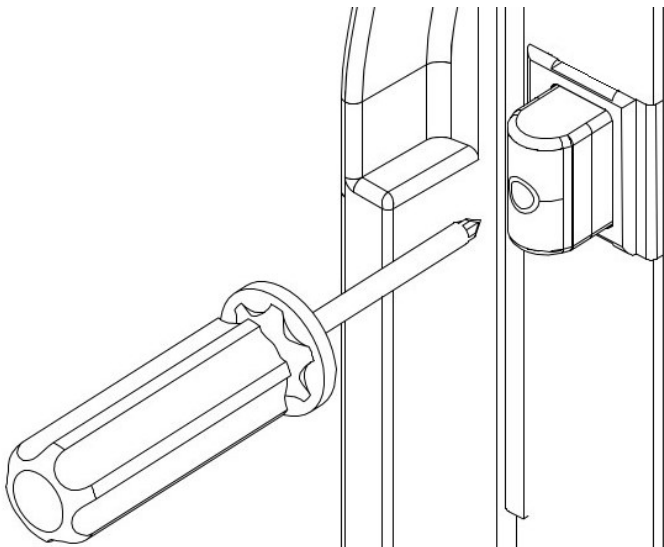


STEP 2



STEP 3

Adjustment



Armal.