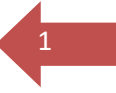


Armal.

Assembly Instructions



AXS PORTABLE RESTROOM AND AXS CHANGING ROOM - TTD version

(items PBHNAXS..-TTD/PBSAXS..-TTD)

rev. 03 dd 10/07/2025



Armal.

ARMAL S.p.A. Unipersonale

Società soggetta a direzione e coordinamento di TTD Holding IV GmbH

Via Fiorentina, 109 - 50052 Certaldo (FI), Italy

Phone +39 0571 665305 - Fax +39 0571 651260

armal@armal.biz - info@cert.armal.biz - www.armal.biz

1. USE AND MAINTENANCE MANUAL

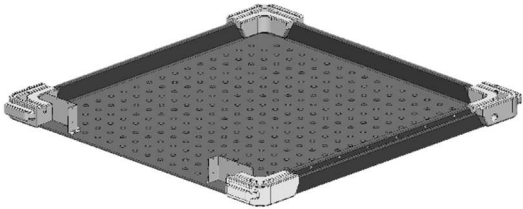
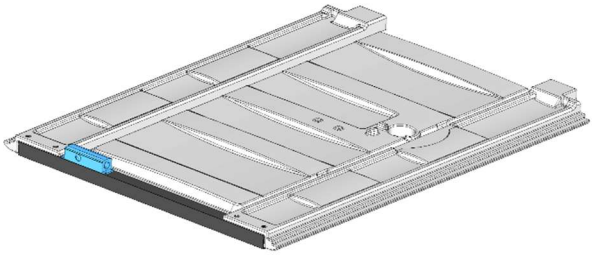

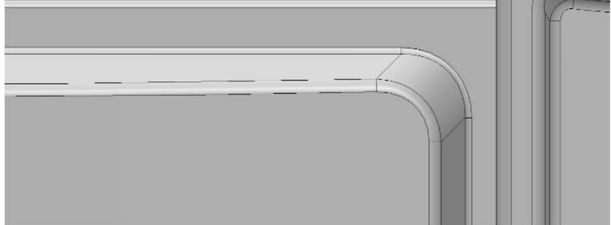
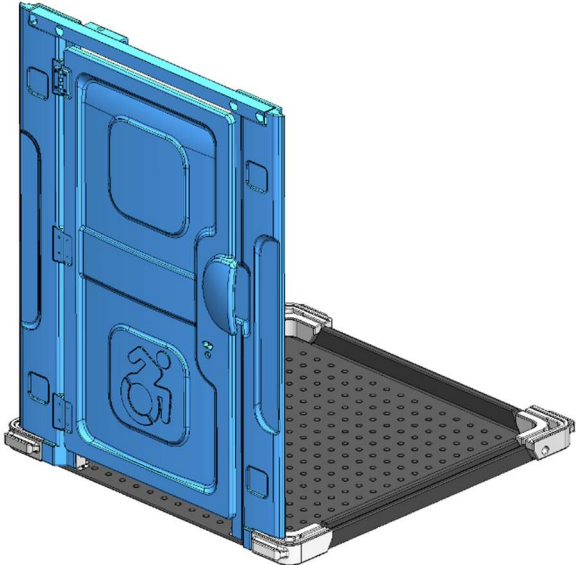
1.1. Tools Required

ALLEN KEY	DRIVER WITH STAR TIP/COLLET	DRILL WITH A 5,25/5,5/6 TIP
		
10mm WRENCH	ADJUSTABLE WRENCH	RIVETING MACHINE
		

1.2. ASSEMBLY INSTRUCTIONS

The pieces highlighted in blue are the components that you are currently working on.

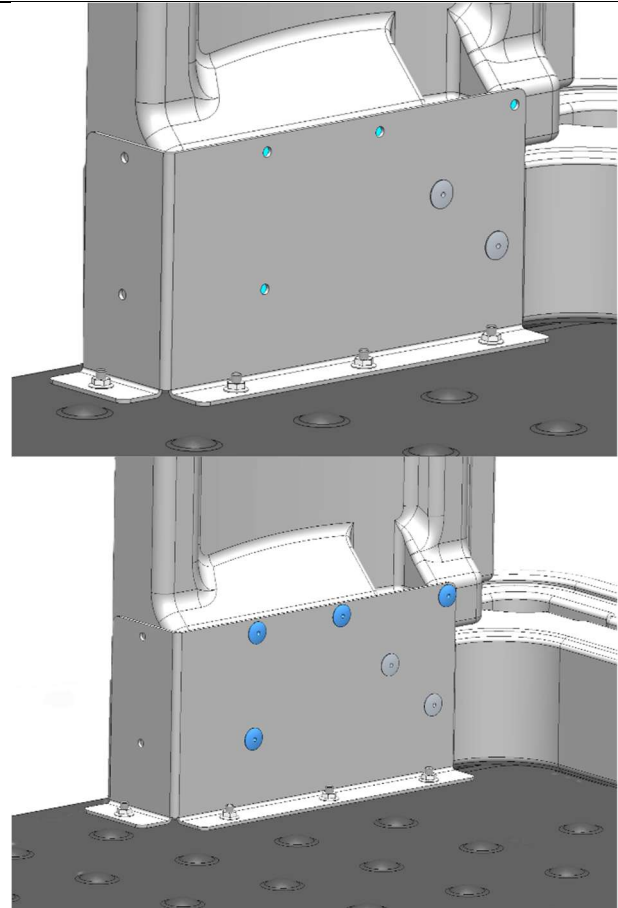
1.2.1. Panels Assembly

<p>Take the base.</p>	
<p>Position the door closer spring on the frame as shown in the picture. Fasten it with No. 4 screws.</p>	  
<p>Insert the front panel onto the base.</p>	

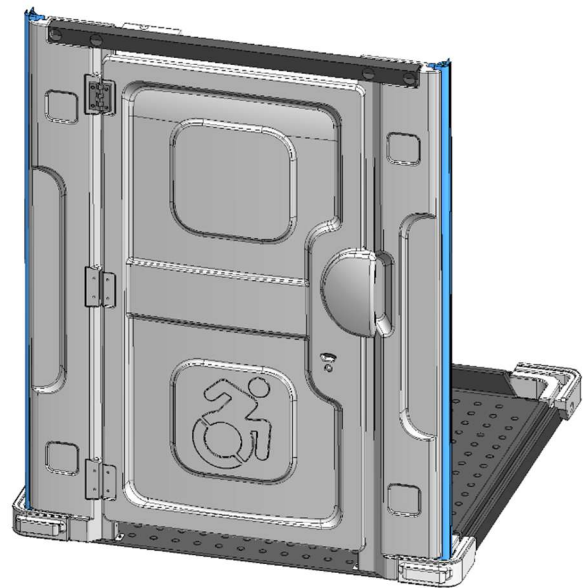
Drill the lower part as shown in the picture, following the holes on the brackets and insert No. 4 flower-shaped rivets.

NOTE: It is always recommended to drill one hole at a time and immediately insert the corresponding rivet, rather than pre-drilling all holes in advance.

Repeat the procedure on the other side.



Insert the corner profiles on the sides of the door.



Drill No. 6 holes in the corner profile as shown in the picture and insert the rivets.

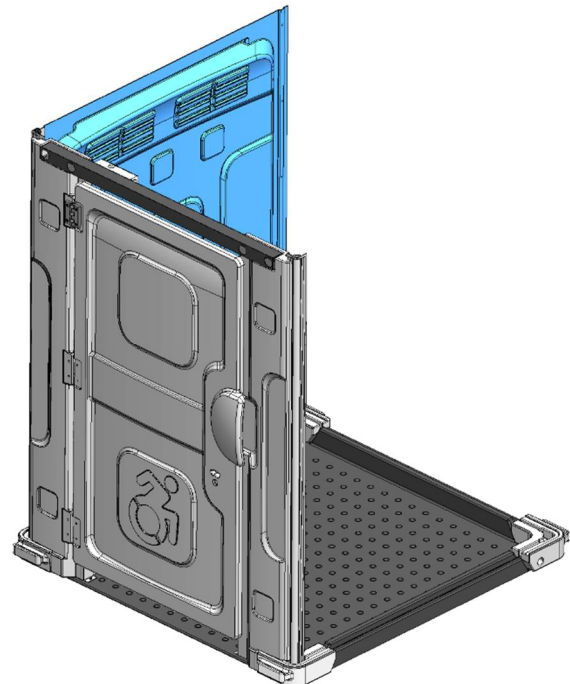
NOTE: The PVC corner profile does not have pre-punched holes. To facilitate the operator's work, it is recommended to use the horizontal embossing on the frame as a reference. The holes should be drilled approximately $\frac{1}{2}$ cm away from the frame, using the embossing as a guide for proper vertical alignment. It is always recommended to drill one hole at a time and immediately insert the corresponding rivet, rather than pre-drilling all holes in advance.

WARNING: Drill only the first layer and be careful not to pierce both walls.

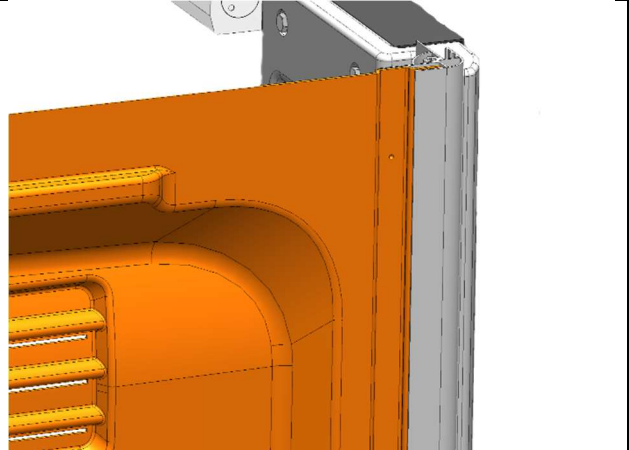


Insert the wall panel so that it fits flush inside the corner profile.

NOTE: Small X marks are stamped at the base of the panel to indicate the inner side. The inner side is the convex one.

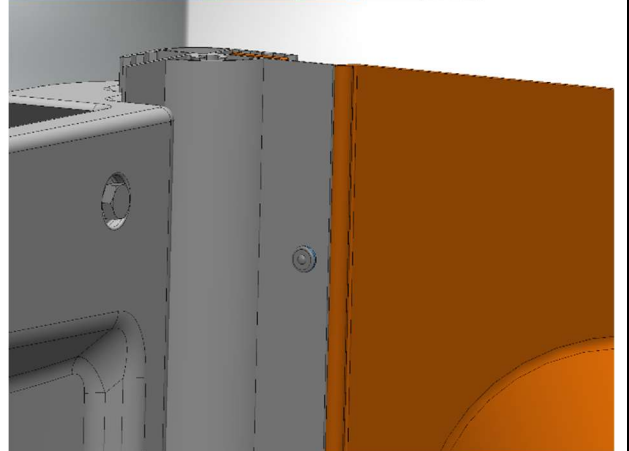
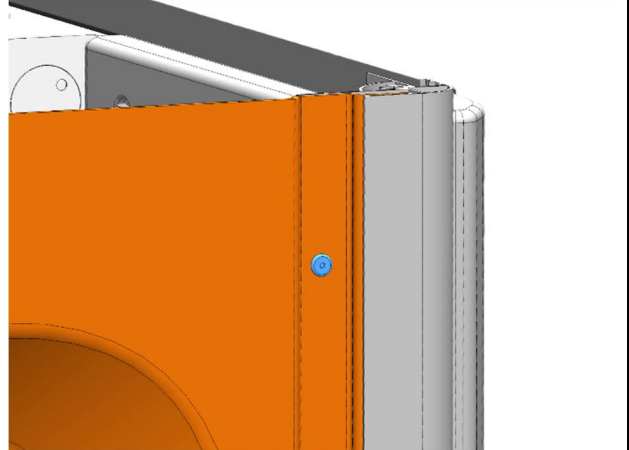


Drill the corner profile from the outside, as shown in the picture, following the markings on the profile (a total of No. 6 holes).

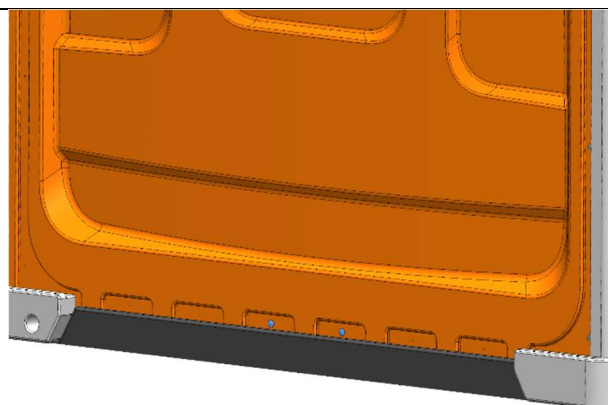


No. 2 OPERATORS:
Insert No. 2 rivets (one at the top and one at the bottom) from the outside of the cabin, while a second operator holds the washer in place from the inside.

WARNING: Make sure to use the correct rivet.

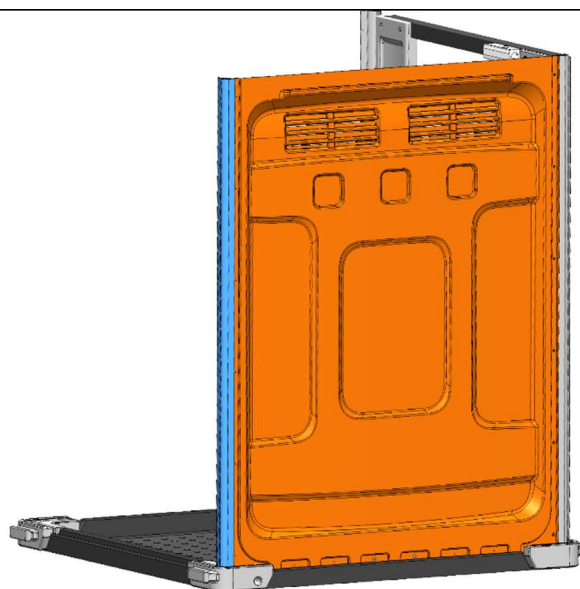


Before fully securing the walls, drill No. 2 central holes in the lower central part of the wall, following the markings, and insert No. 2 flower rivets to stabilize it onto the base. Then proceed with the following steps.



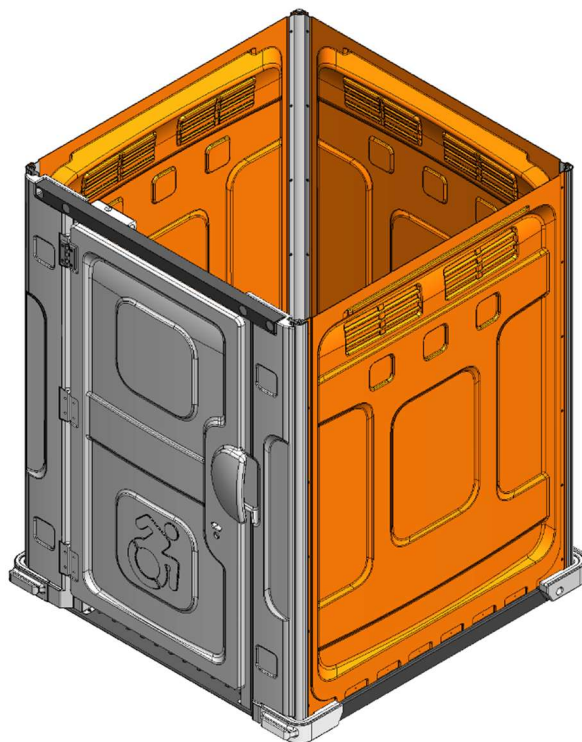
Insert the corner.

Fasten it as previously described.

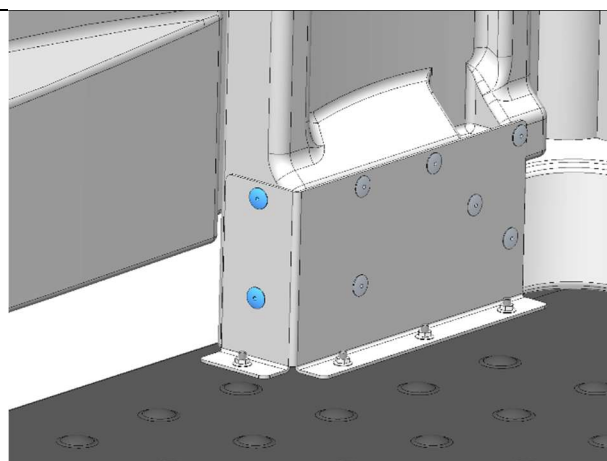


Insert the other panels by repeating the operations just described.

Once all three panels and corner profiles have been inserted and stabilized, complete the drilling and fasten them with the respective rivets.

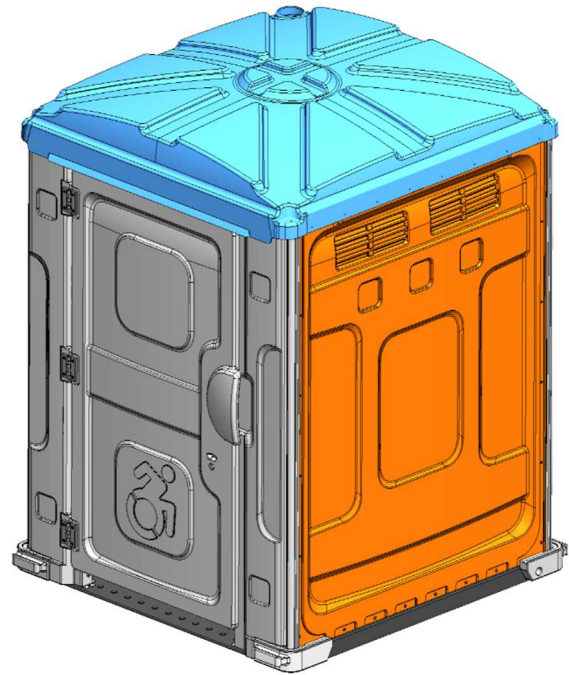


Remove the door stopper, drill, and add the remaining No. 4 rivets: No. 2 on the left side and No. 2 on the right side.



1.2.2. Roof Assembly

Place the roof.

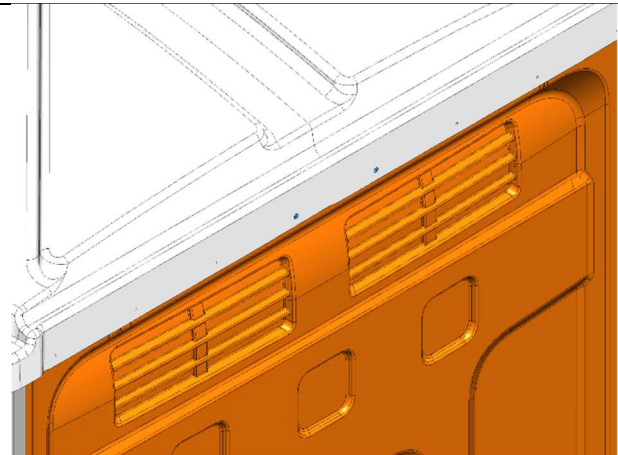


No. 2 OPERATORS:

Drill the three sides of the roof (rear, right, and left) following the markings and insert No. 2 rivets on each side from the outside, while the second operator holds the washer in place from the inside.

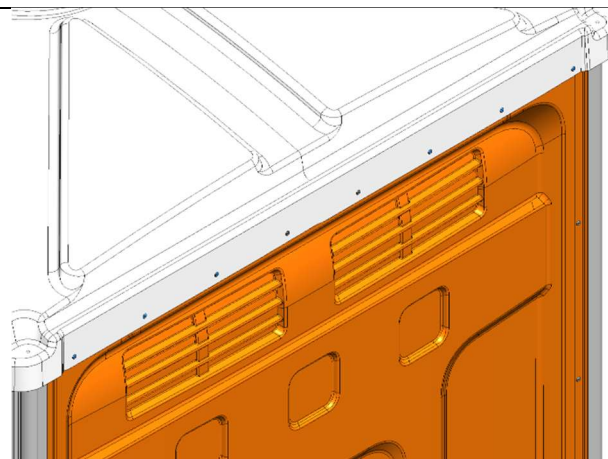
NOTE: It is always recommended to drill one hole at a time and immediately insert the corresponding rivet, rather than drilling all holes in advance.

WARNING: Be careful to use the correct rivet.





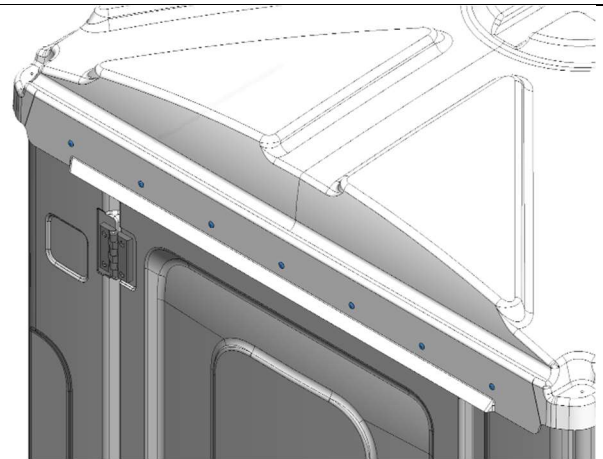
Complete the fastening of the walls with No. 6 additional rivets, each with washers.



Drill the front of the roof (door side) following the markings, and insert the flower rivets for a total of No. 9 holes + rivets.

NOTE: It is always recommended to drill one hole at a time and immediately insert the corresponding rivet, rather than drilling all holes in advance.

WARNING: make sure to keep the roof in position during drilling.



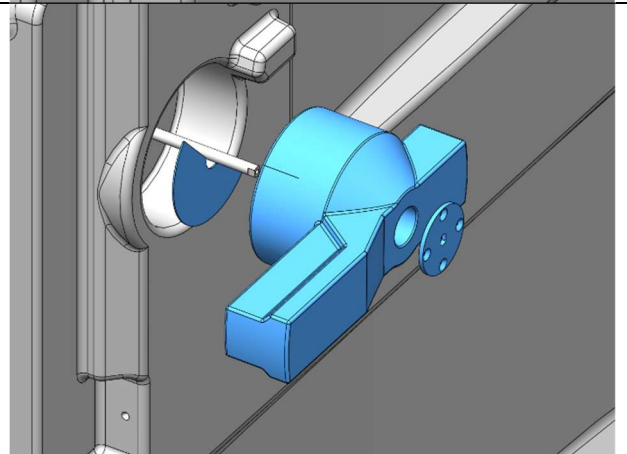
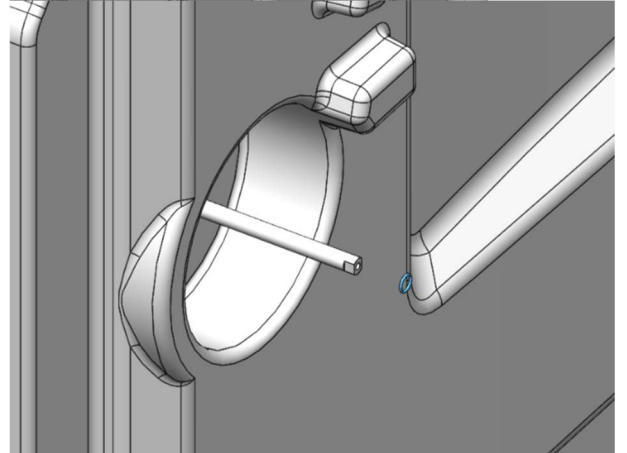
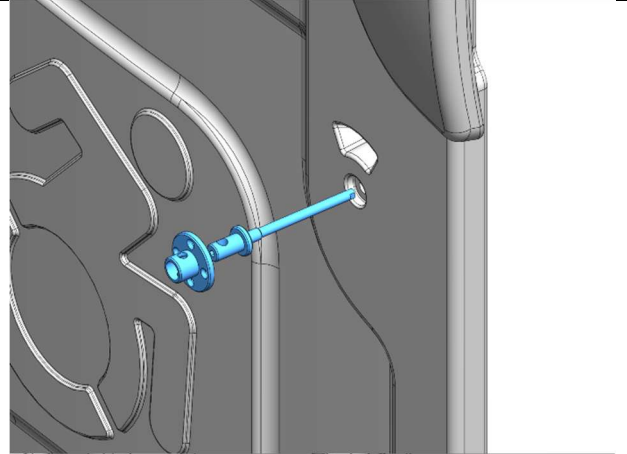
1.2.3. Accessory Assembly

1.2.3.1. Door Accessories

No. 1 OPERATOR (while assembling the door accessories, the second operator can carry out the drilling described in paragraph 1.2.3.3. LIFTING HANDLES)

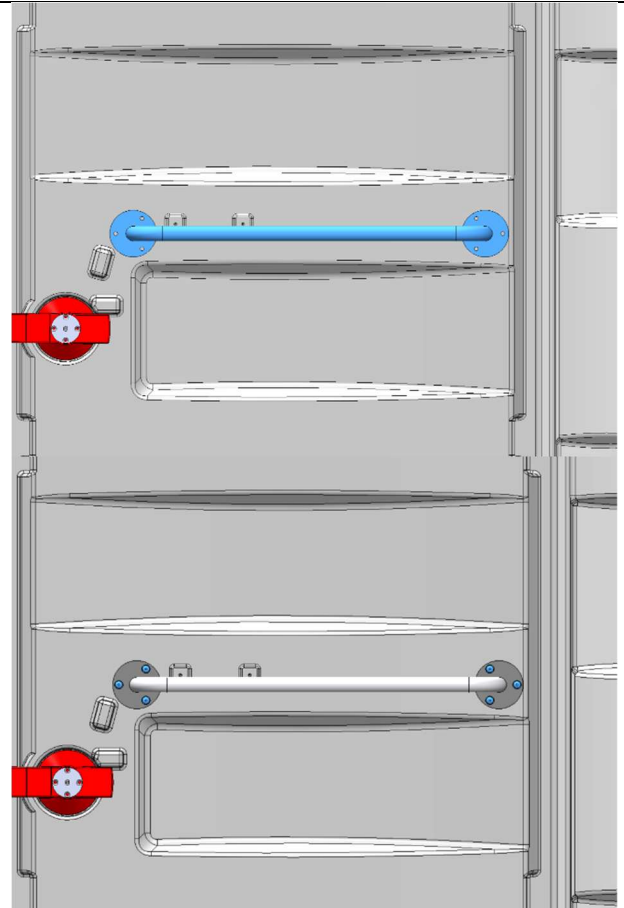
Insert the opening shaft through the door hole and add the lockable rotation block.

Insert the O-ring from the inner side of the door.

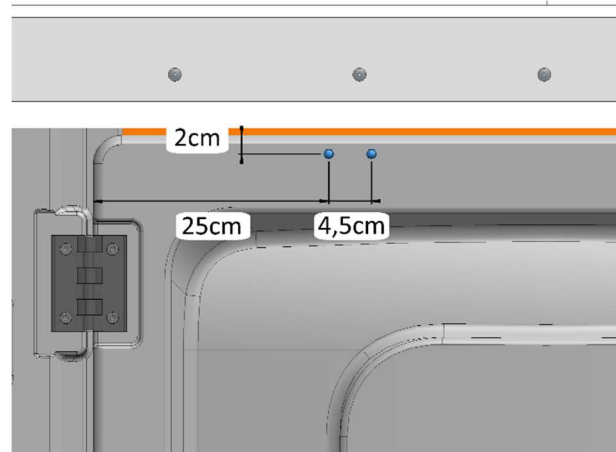


Apply the green sticker to the red latch and insert the latter from the inner side of the door. Align the holes of the shaft and the rotation block, then insert the pin, rotate the latch to the closed position. Screw the rotation plate from the inside and remove the block from the holes.

Position the handle as shown in the figure.
Drill the holes and insert the rivets.

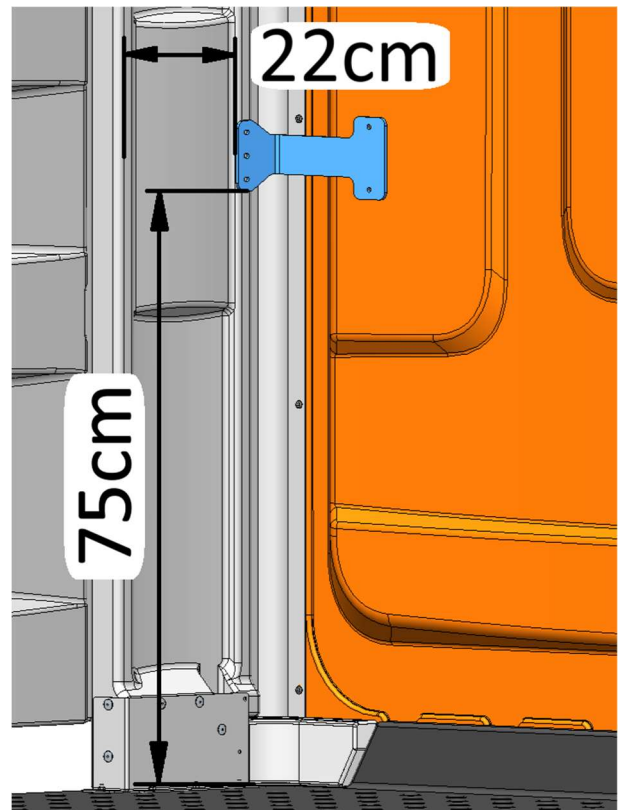
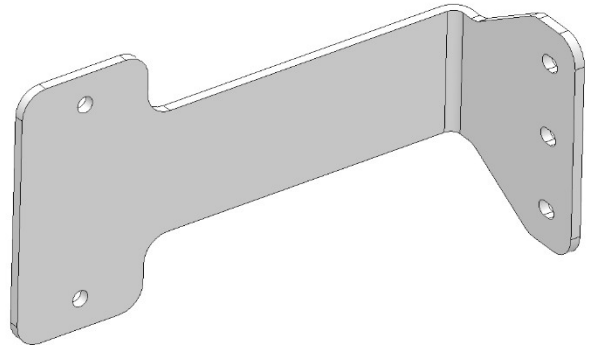


Close the door. Drill No. 2 holes with a 6 mm drill bit, following the dimensions shown in the figure.
Fasten the spring arm to the door using the supplied screws (inside) and cap nut (outside).



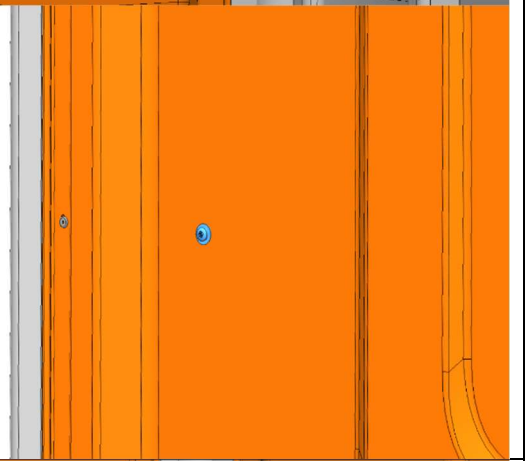
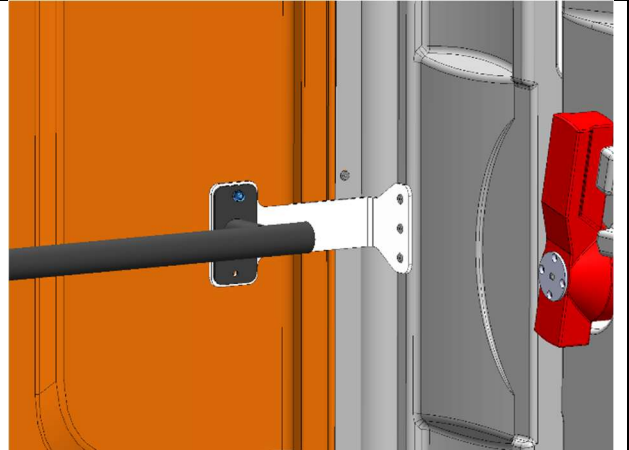
1.2.3.2. Internal Handlebars (No. 2 operators)

Place one of the front brackets as shown in the figure. Drill the sides of the door following the 3 holes in the bracket and insert the rivets. Repeat the procedure for on the other bracket.

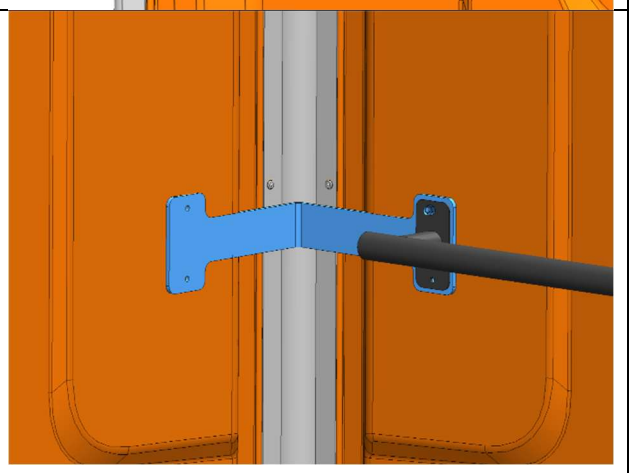


Position the handlebar, drill the first hole at the top, and fasten it with a screw and washer from the outside and a nut from the inside, without tightening it completely. Repeat on the other side.

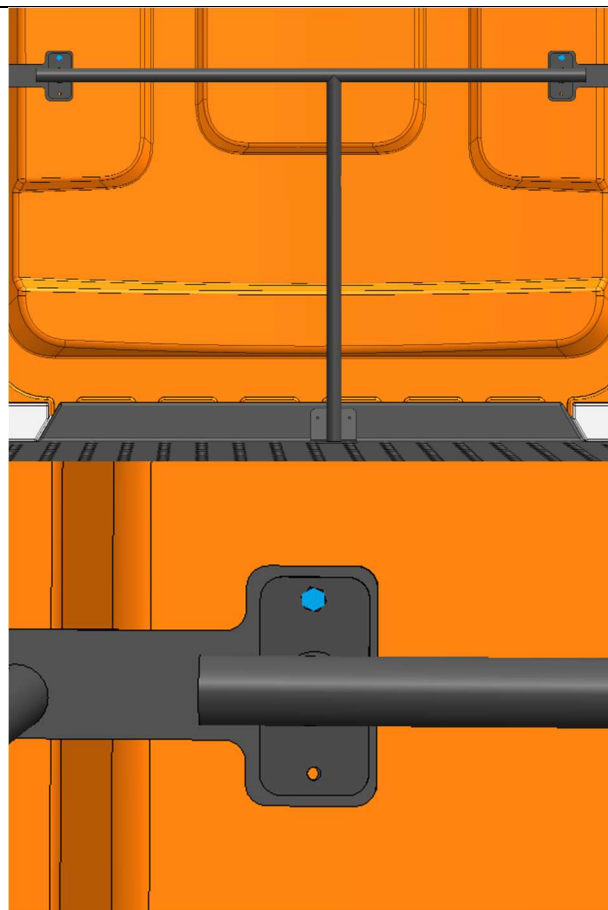
WARNING: make sure the handlebar is resting on the floor and is leveled before drilling.



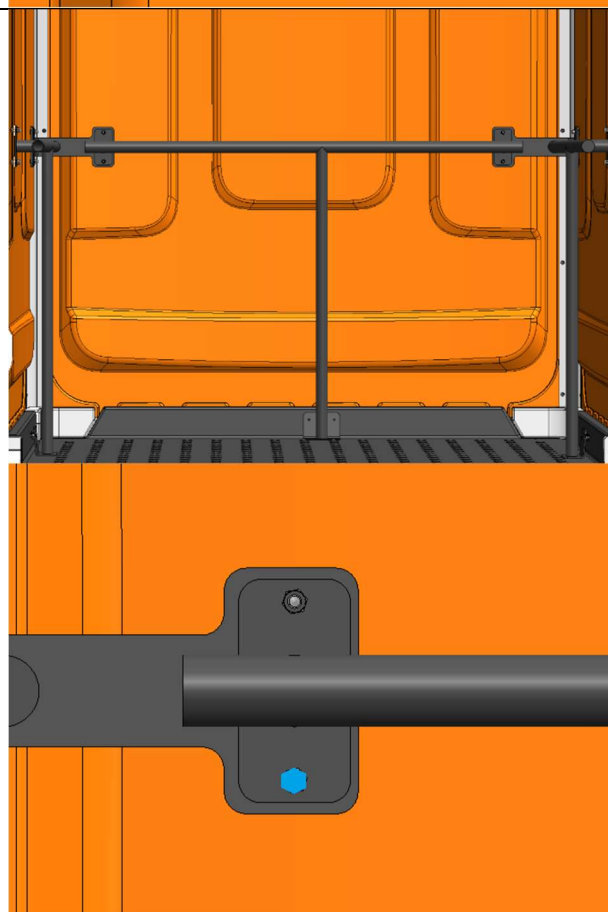
Position one of the rear brackets according to the measurements shown in the figure and place it gently against the back wall without applying pressure. Make sure the notch is facing toward the door. Drill the first hole and fasten it with a screw, nut, and washer without fully tightening. Repeat on the other side.



Position the rear handlebar and, after making sure it is correctly aligned, drill the first two holes at the top and fasten it with screw, nut, and washer without fully tightening.



Make sure that the position of all the handlebars is correct. Complete the installation with the remaining holes, screws, and nuts, and tighten everything in place.



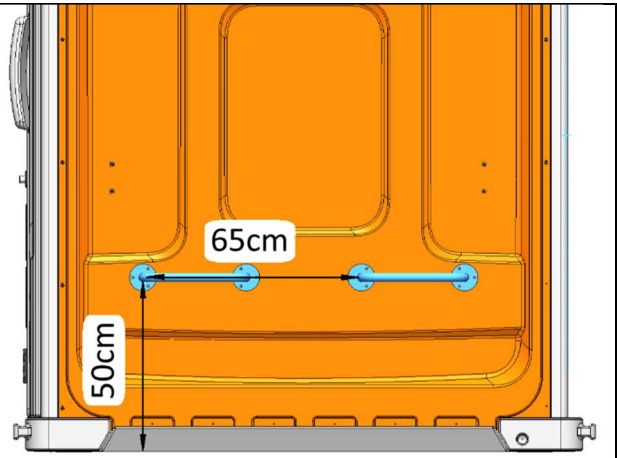
Armal.

Drill the holes at the base of all three handlebars and insert the rivets.

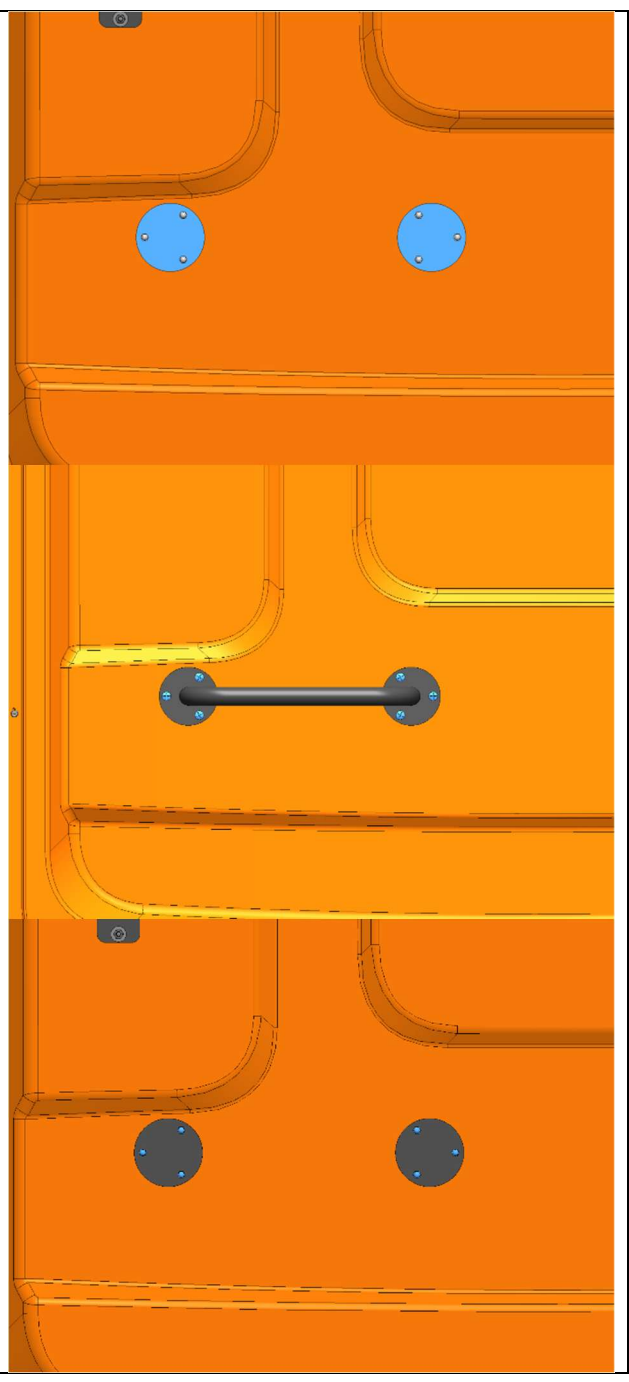


1.2.3.3. Lifting Handles

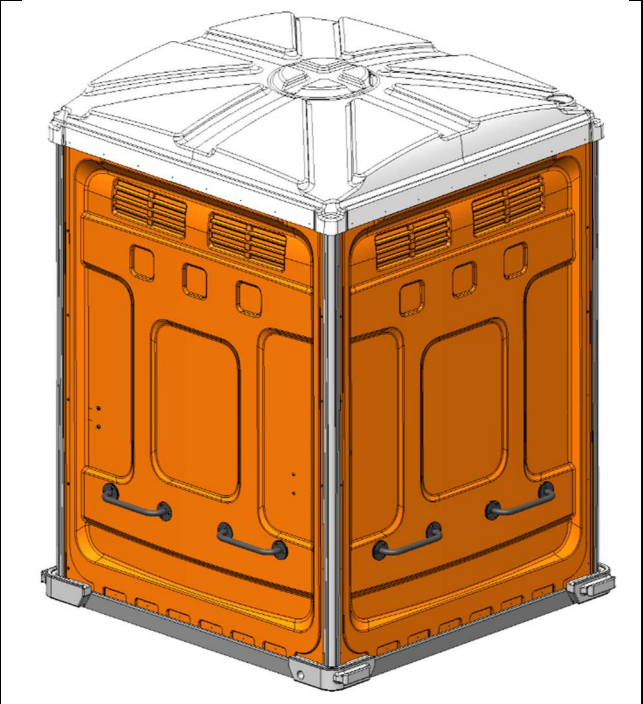
Position the handles as shown in the figure.



No. 2 OPERATORS:
Drill and position the reinforcement plates on the inside.
Fasten with a screw from the outside and a nut from the inside.



Repeat on all three sides.



AXS CHANGING ROOM CABIN

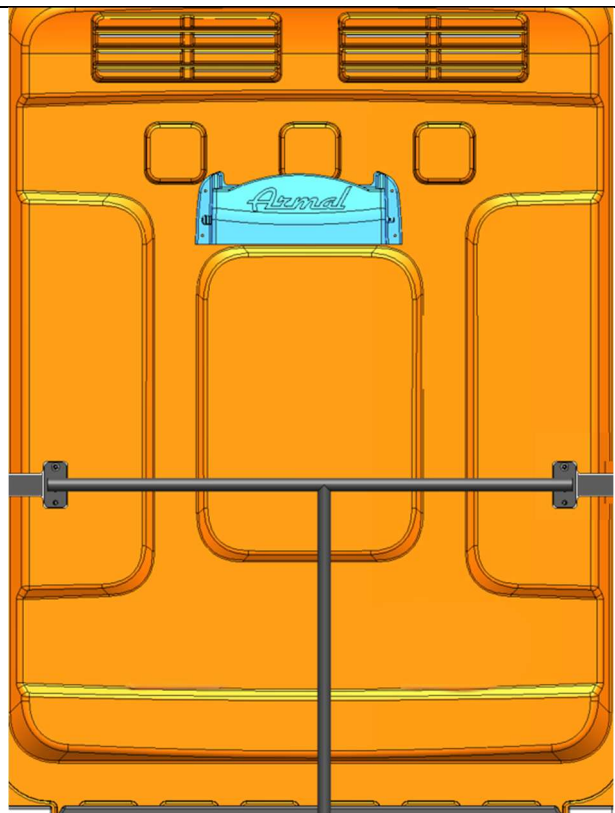
Fasten the 4 coat hooks with one rivet each in the position deemed most appropriate, ensuring that their height does not exceed 140 cm. Stop here.

AXS WHEELCHAIR ACCESSIBLE PORTABLE RESTROOM

Continue with the assembly of the accessories.

1.2.3.4. Toilet Paper Holder

Place the toilet paper holder.



Drill from the inside of the toilet corresponding to the four holes already present on the toilet paper holder.



No. 2 OPERATORS:

Insert No. 4 flower rivets from the outside of the toilet while a second operator holds it in position from the inside.



1.2.3.5. Sanitary Fittings

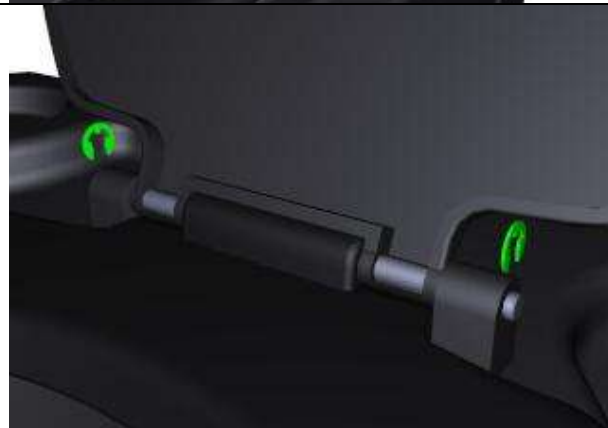
Insert the toilet seat and the seat cover.



Insert the metal bar inside the designated hole.

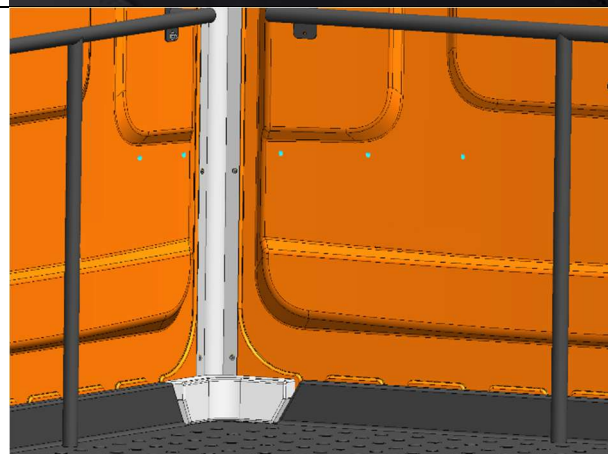


Fix the seat metal bar with two rings.

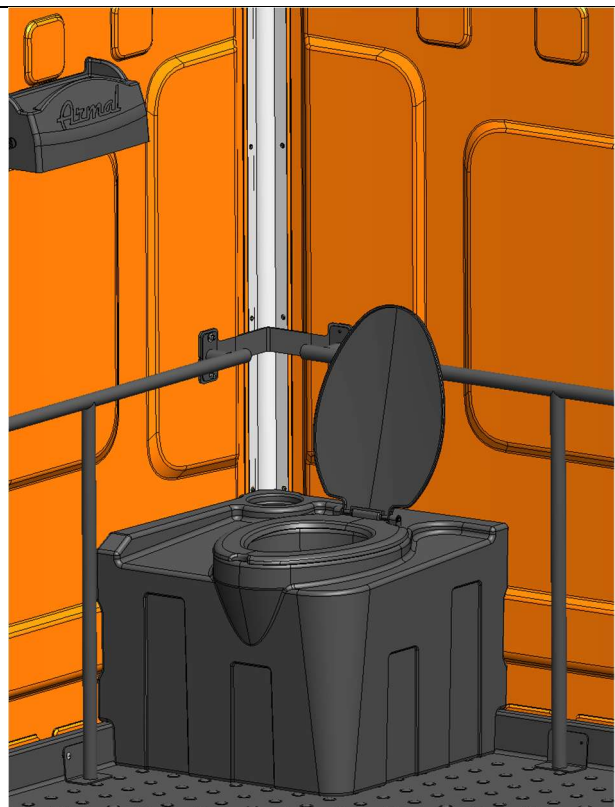


From the inside drill where indicated by the markings with a 5.25 mm drill bit.

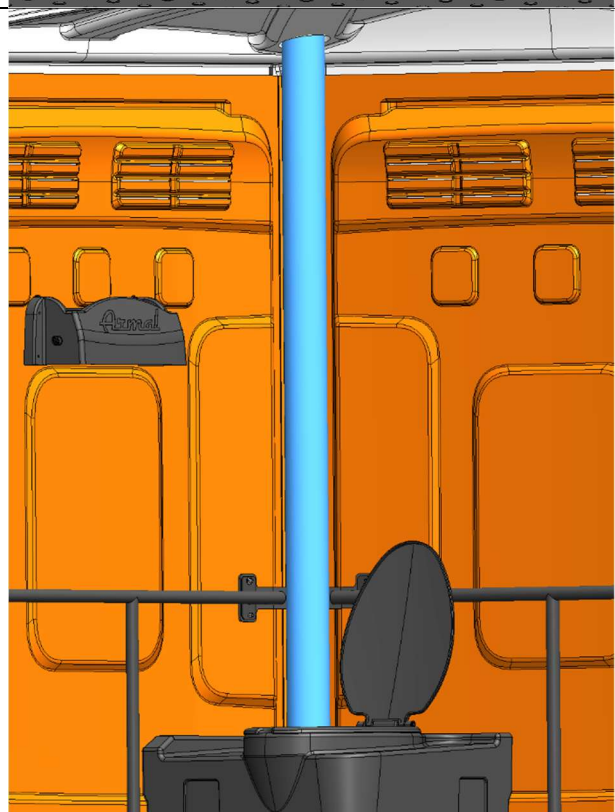
NOTE: two holes on the left wall and three on the rear wall.



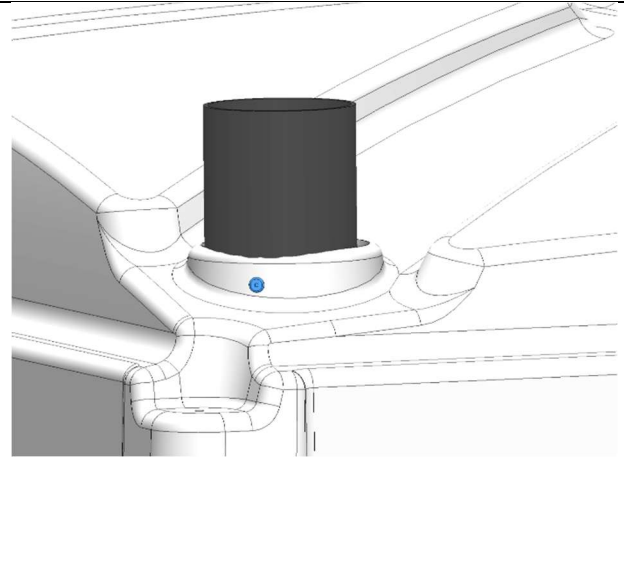
Place the tank in the toilet.
While a second operator holds it in place from the inside, drill No. 5 holes from the outside following the holes in the wall and use No. 5 rivets to fasten it.



Insert the ventilation pipe into the roof and the lid of the tank.



Drill the roof and the ventilation pipe, then insert a flower rivet.



Please note the following:

The images contained in this manual are for illustrative purposes only. Armal S.p.A. reserves the right to make any changes to the specifications, design or materials of the product that are necessary or appropriate in order to bring the product into compliance with the requirements applicable from time to time in relation to the safety of the product itself, as provided for by law or the regulations. In any case, it may make changes that do not alter the essential characteristics of the Products or substantially affect the quality or functionality of the same.

Armal S.p.A. will not update the current assembly instructions for minor changes that do not significantly affect the product. We recommend that you request the latest version of the assembly instructions from the Sales Department or consult the website www.armal.biz.